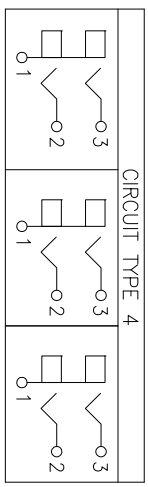
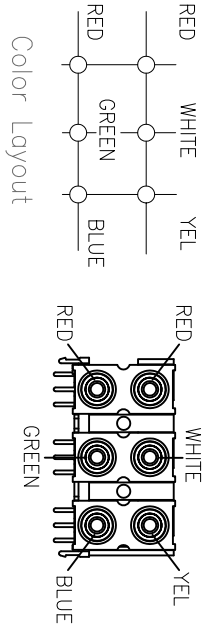
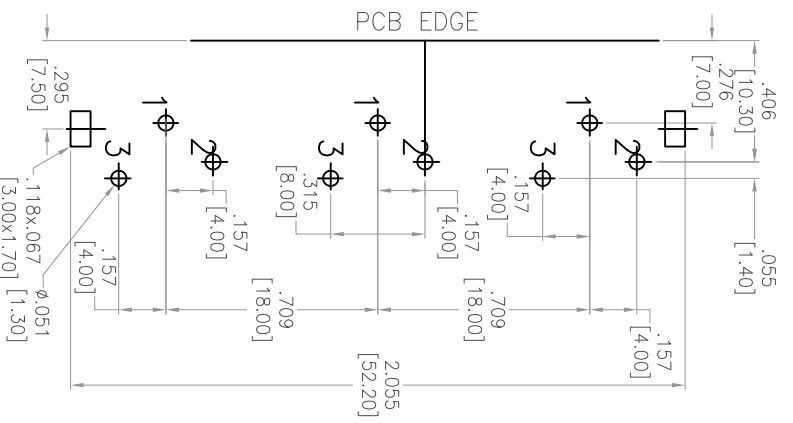
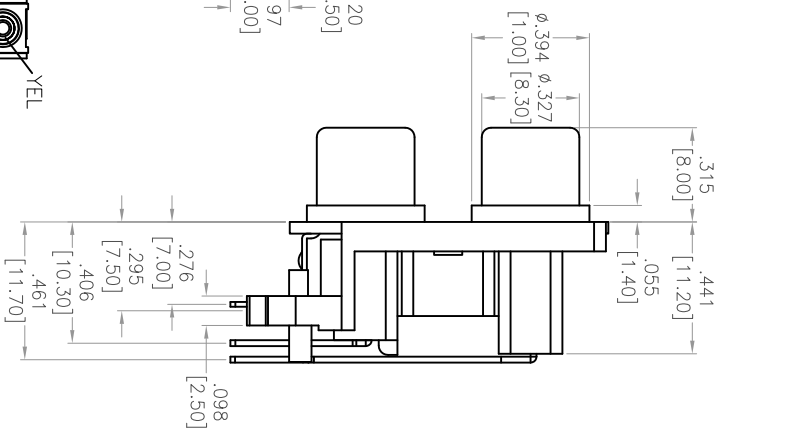
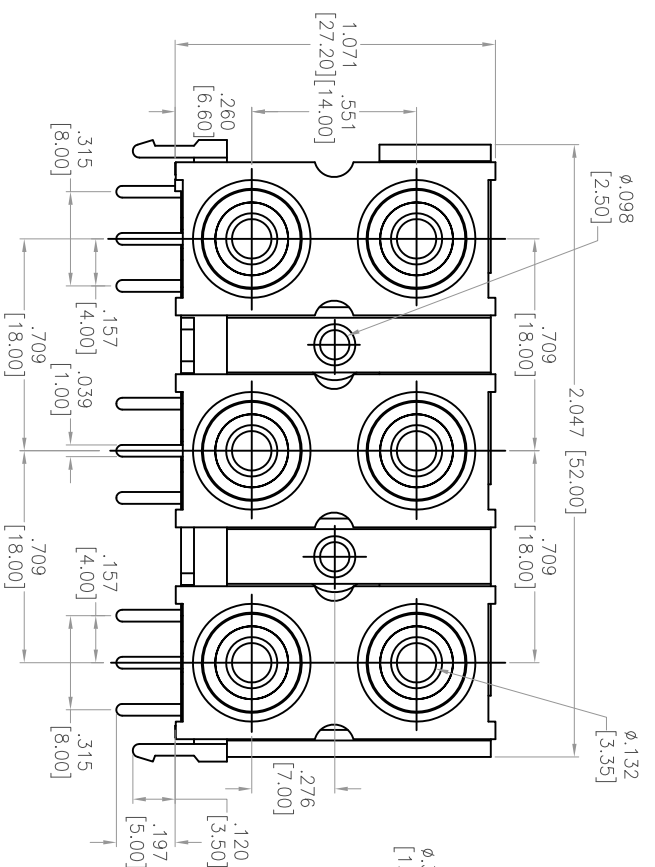


Rev	AWO #	Description	Date	Appr
-		RELEASED	1/10/14	

APPROVED: _____
 DATE: _____ TITLE: _____



SPECIFICATIONS:

Material:
 Insulator: PBT, Glass reinforced, rated UL 94V-0
 Insulator Color: White
 Inserts: ABS, Color Blue, Green, Red Yellow, White
 Cover: ABS, Color: Black
 Contacts: Brass
 Barrel: Brass, Nickel plated
 Plating:
 Tin over Copper underplate
Electrical:
 Current rating: 2A Max. @12V DC
 1A Max. @100V AC
 Contact resistance: 30 mohms max. initial
 Insulation resistance: 100 Mohms min.
 Dielectric withstanding voltage: 500 VAC for 1 minute
Mechanical:
 Durability: 4,000 Cycles
 Environmental:
 Lead free, RoHS Compliant

ADAM TECH

909 Rahway Avenue, Union, NJ 07083
 Phone: 908-687-5000 Fax: 908-687-5710

RCA JACK, 6 PORTS, 2 X 3

UNLESS OTHERWISE SPECIFIED ALL DIMENSIONS ARE INCHES [MM]	
TOLERANCES: EXCEPT AS NOTED	HOLE SIZES
.X ± .10	ØX ± .10
.XX ± .020	ØXX ± .015
.XXX ± .015	ØXXX ± .010
APPROVALS	DATE
DRAWN TW	1/10/14
CHECKED AH	1/10/14
APPROVED	

TITLE		PART NO.		REV.	
RCA JACK, 6 PORTS, 2 X 3		RCA-14-R/RW/G/Y/BL		1	
REF: S00095T	SCALE: NTS	SHEET 1	OF 1		