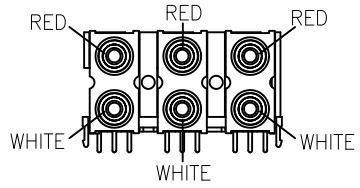
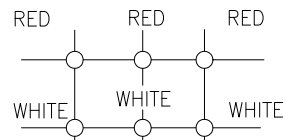
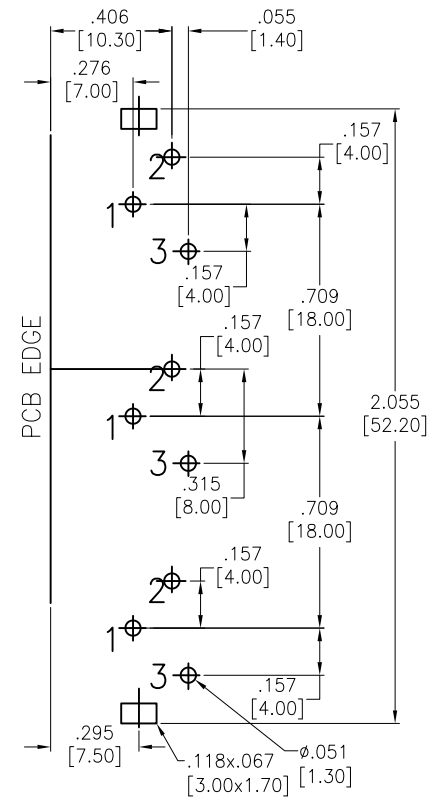
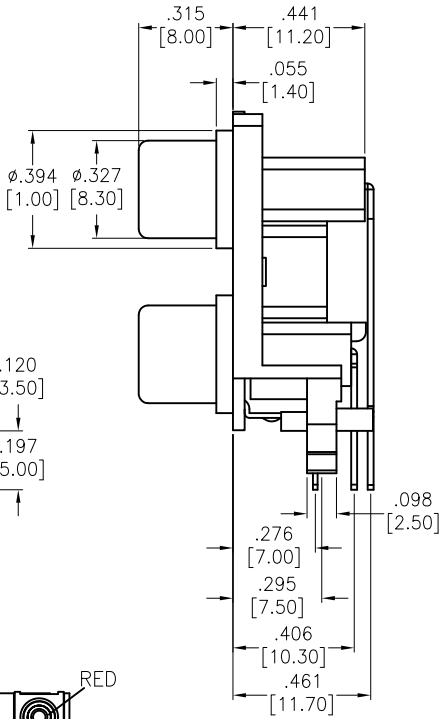
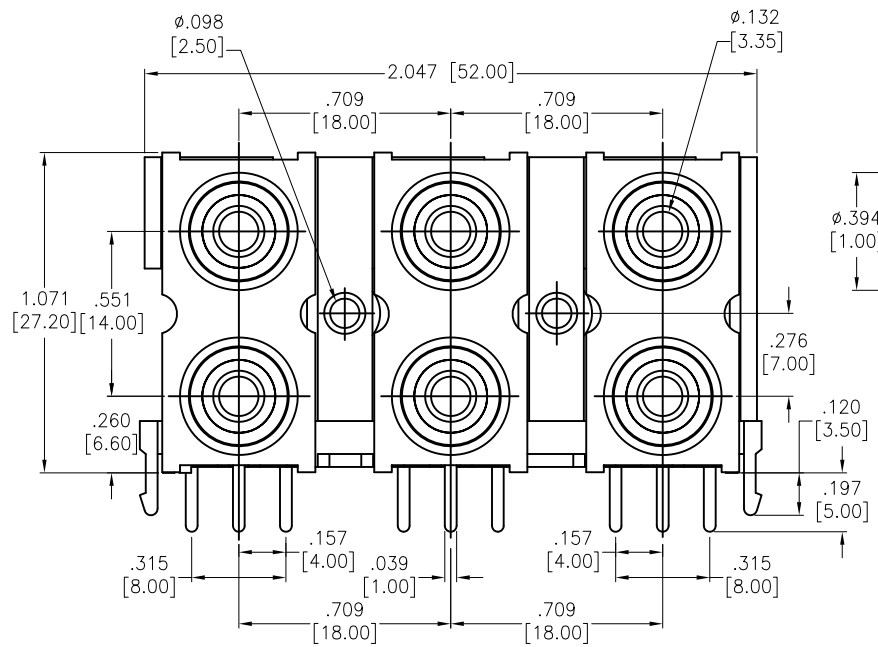


APPROVED: _____
 DATE: _____ TITLE: _____

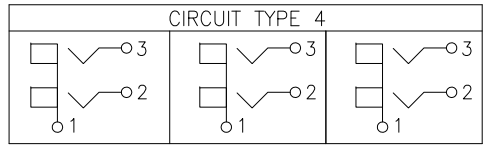
Rev	AWO #	Description	Date	Appr
-		RELEASED	11/12/15	



Color Layout

SPECIFICATIONS:

Material:
 Insulator: PBT, Glass reinforced, rated UL 94V-0
 Insulator Color: White
 Inserts: ABS, Color Red, White
 Cover: ABS, Color: Black
 Contacts: Brass
 Barrel: Brass, Nickel plated
 Plating:
 Tin over Copper underplate
 Electrical:
 Current rating: 2A Max. @12V DC
 1A Max. @100V AC
 Contact resistance: 30 mohms max. initial
 Insulation resistance: 100 Mohms min.
 Dielectric withstanding voltage: 500 VAC for 1 minute
 Mechanical:
 Durability: 4,000 Cycles
 Environmental:
 Lead free, RoHS Compliant



UNLESS OTHERWISE SPECIFIED
 ALL DIMENSIONS ARE INCHES [MM]
 TOLERANCES: EXCEPT AS NOTED

INCHES	HOLES
.X ± .10	∅X ± .10
.XX ± .020	∅XX ± .015
.XXX ± .015	∅XXX ± .010

ADAM TECH
 909 Rahway Avenue, Union, NJ 07083
 Phone: 908-687-5000 Fax: 908-687-5710

APPROVALS		DATE
DRAWN	AY	11/12/15
CHECKED	YC	11/12/15
APPROVED		

TITLE		
RCA JACK, 6 PORTS, 2 X 3		
SIZE	PART NO.	REV.
X	RCA-11-4-R/W	-
REF:	S00095T	SCALE: NTS SHEET 1 OF 1