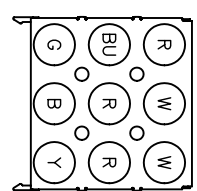
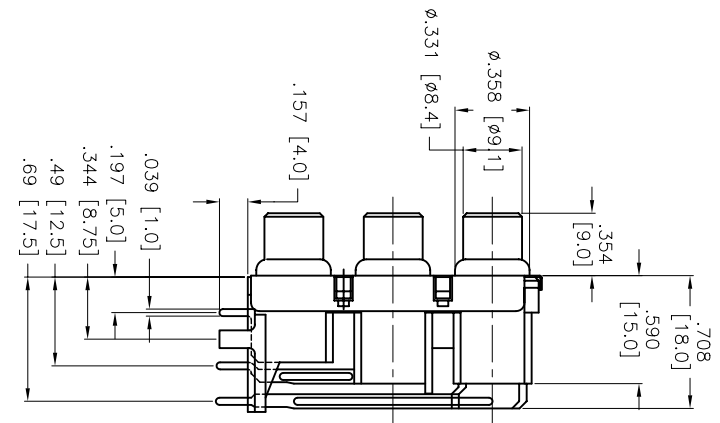
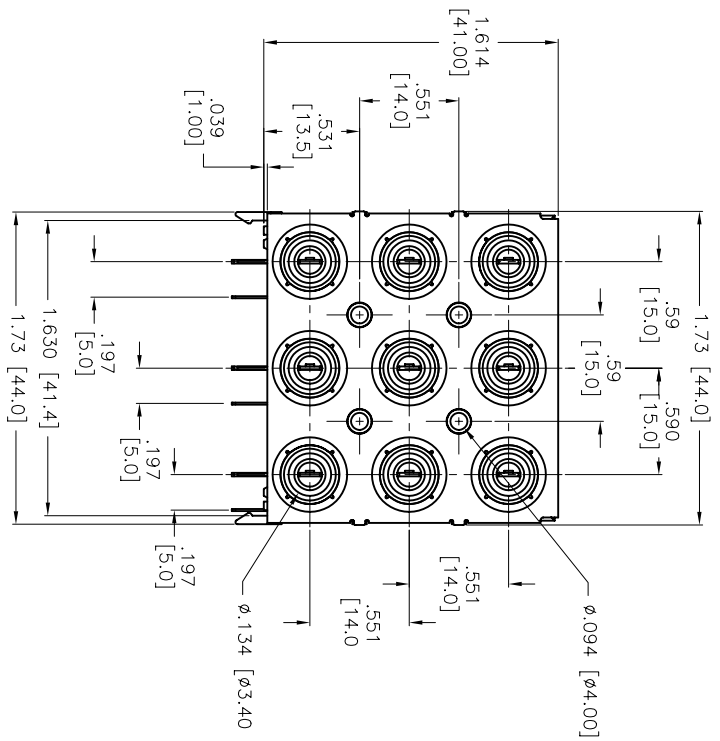


APPROVED: _____

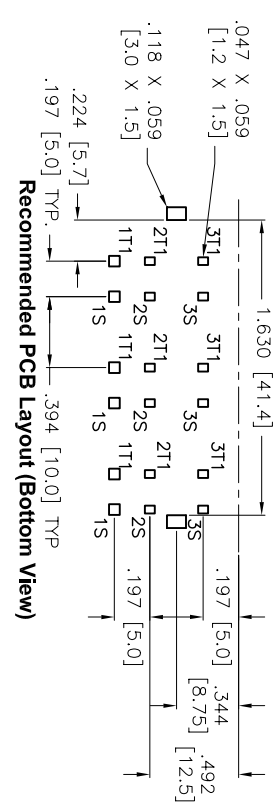
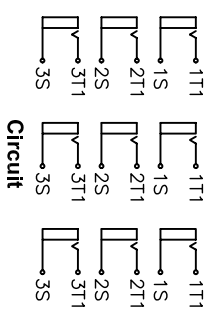
DATE: _____ TITLE: _____

Rev	AWO #	Description	Date	Appr
-		RELEASED	01/24/05	



Color Layout

Y: Yellow
W: White
R: Red
BU: Blue
G: Green
B: Black



Recommended PCB Layout (Bottom View)

SPECIFICATIONS:

Material:
Insulator: ABS, rated UL 94HB

Insulator color: Black

Contacts: Brass

Plating:
Tin over Nickel underplate overall

Electrical:

Operating voltage: 12V DC max

Current rating: 1 Amp max

Contact resistance: 30 mohms max

Insulation resistance: 100 Mohms min @ 500 VDC

Dielectric withstanding voltage: 500 VAC for 1 minute

Temperature Rating:
Operating temperature: -25°C to +80°C

ADAM TECH

909 Rahway Avenue, Union, NJ 07083
Phone: 908-687-5000 Fax: 908-687-5710

RCA JACK 3 X 3 (9 PORTS), RIGHT ANGLE,
PCB

UNLESS OTHERWISE SPECIFIED ALL DIMENSIONS ARE INCHES [MM]		TOLERANCES: EXCEPT AS NOTED	
.X	± .10	ØX	± .10
.XX	± .020	ØXX	± .015
.XXX	± .015	ØXXX	± .010
APPROVALS	DATE	DATE	
DRAWN	SS	01/24/05	
CHECKED			
APPROVED			
SIZE	PART NO.	RCA-13-1-SPC	REV.
X			
REF:	SCALE:	NTS	SHEET 1 OF 1