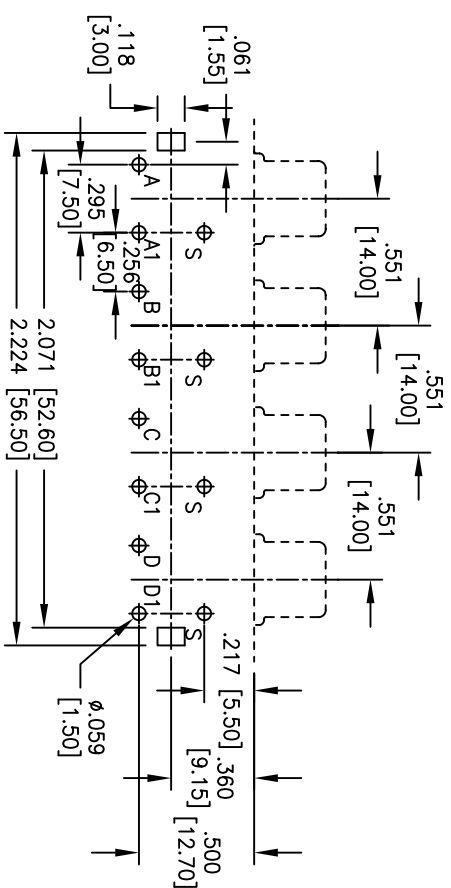
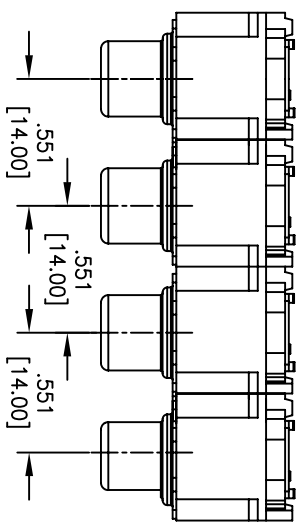
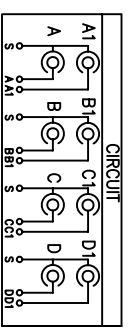
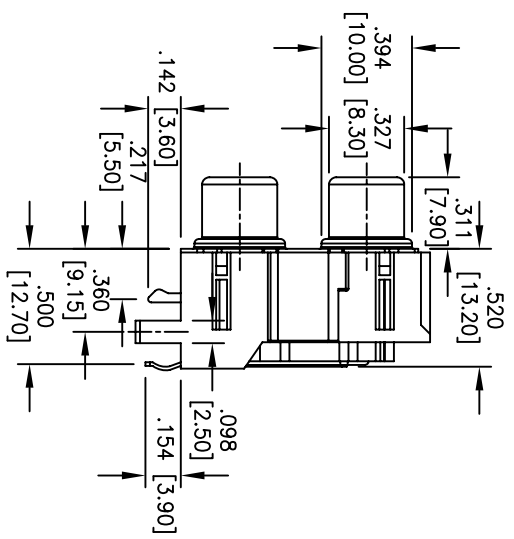
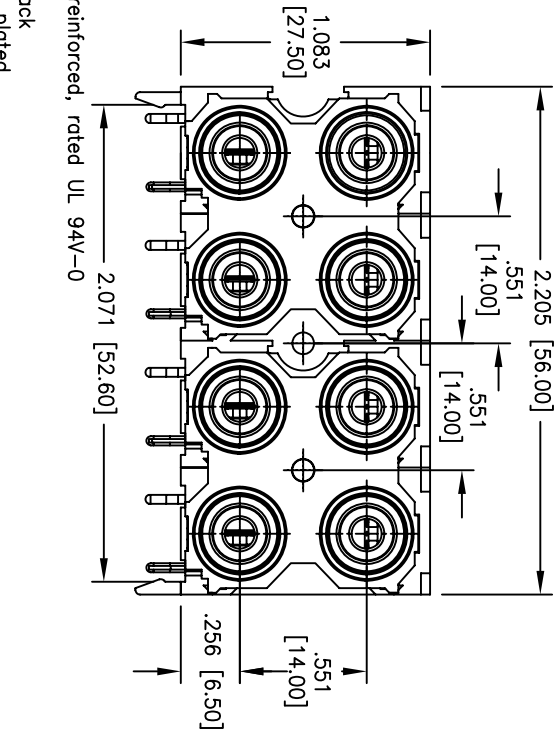


Rev	AWO #	Description	Date	Appr
-		RELEASED	12/08/09	

APPROVED: _____
 DATE: _____ TITLE: _____



RECOMMENDED PCB LAYOUT



SPECIFICATIONS:
 Material: Insulator: PBT, Glass reinforced, rated UL 94V-0
 Insulator color: Black
 Inserts: PBT, Color Black
 Bushing: Brass, Nickel plated
 Contacts: Brass
 Plating: Tin or Silver over Copper underplate

Electrical:
 Operating voltage: 12 VDC max.
 Current rating: 1 Amp max.
 Contact resistance: 30 mohms max. initial
 Insulation resistance: 100 Mohms min.
 Dielectric withstanding voltage: 500 VAC for 1 minute
 Temperature Rating: Operating temperature: -25°C to +85°C

Environmental:
 Lead free, RoHS Compliant
 Recommended soldering temp: 235°C for 5 seconds



ADAM TECH

909 Rahway Avenue, Union, NJ 07083
 Phone: 908-687-5000 Fax: 908-687-5710

TITLE: RCA JACK, 8 PORTS, 2 X 4
 COLOR BLACK / BLACK / BLACK / BLACK

UNLESS OTHERWISE SPECIFIED ALL DIMENSIONS ARE INCHES [MM]	
TOLERANCES: EXCEPT AS NOTED	
X	± .10
XX	± .020
XXX	± .015
ØXX	ØXX
ØXXX	± .010
APPROVALS	
DRAWN	DATE
CHECKED	
APPROVED	

SIZE	PART NO.	REV.
X	RCA-14-4-B/B/B/B	-
REF: S00052T	SCALE: NTS	SHEET 1 OF 1