

6

5

4

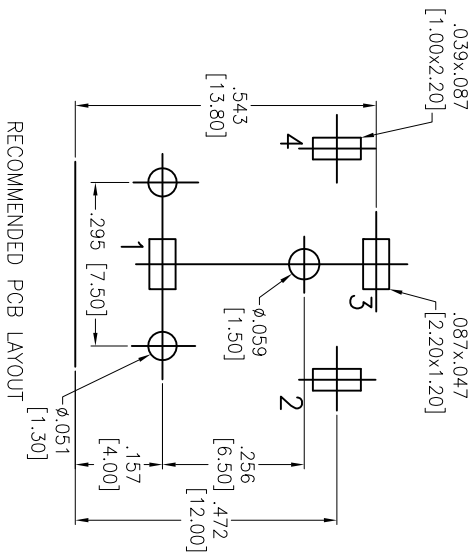
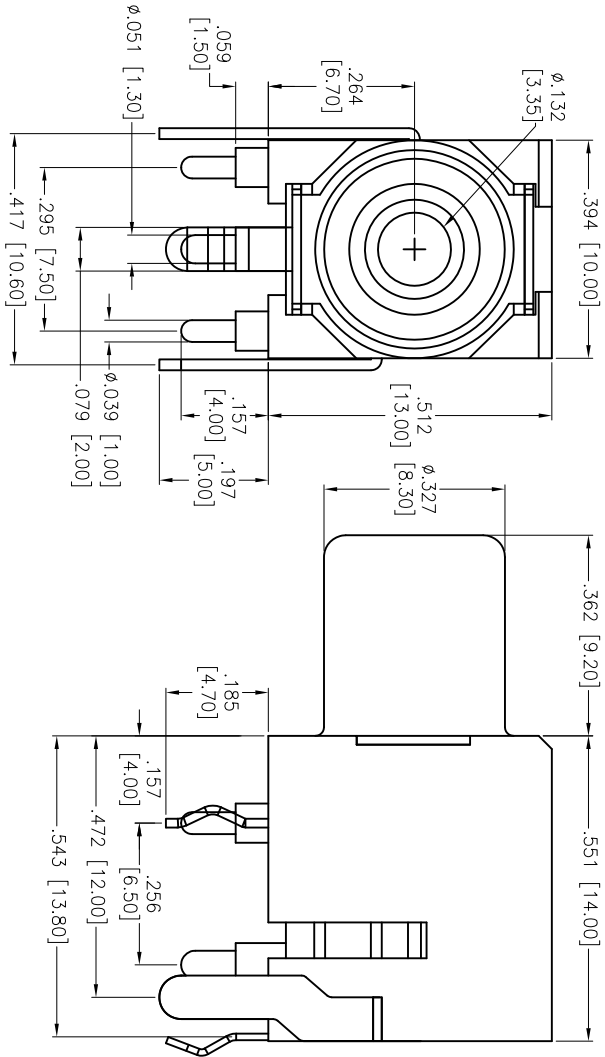
3

2

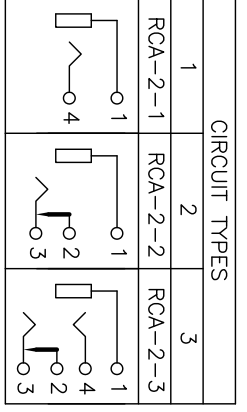
1

APPROVED: \_\_\_\_\_  
 DATE: \_\_\_\_\_ TITLE: \_\_\_\_\_

Rev	AWO #	Description	Date	Appr
-		RELEASED	12/10/04	
A		REDRAWN	04/01/13	
B		UPDATE DIM.	9/10/15	AY/MW



PART NO.	COLOR
RCA-2-X-R	RED
RCA-2-X-B	BLACK
RCA-2-X-W	WHITE
RCA-2-X-Y	YELLOW



UNLESS OTHERWISE SPECIFIED ALL DIMENSIONS ARE INCHES [MM] TOLERANCES: EXCEPT AS NOTED INCHES	HOLES
.X ± .10	$\phi$ X ± .10
.XX ± .020	$\phi$ XX ± .015
.XXX ± .015	$\phi$ XXX ± .010

**SPECIFICATIONS:**  
 Material: Insulator: PBT, Glass reinforced, rated UL 94V-0  
 Insulator colors: Red, Black, Yellow, White  
 Barrel: Brass, Nickel plated  
 Contacts: Brass  
 Springs: Phosphor Bronze  
 Plating: Tin over Copper underplate  
 Electrical: Operating voltage: 12 VDC max.  
 Current rating: 2 Amp max.  
 Contact resistance: 30 mohms max.  
 Insulation resistance: 100 Mohms min.  
 Dielectric withstanding voltage: 500 VAC for 1 minute  
 Environmental: Lead free, RoHS Compliant



APPROVALS	DATE
DRAWN	SS
CHECKED	
APPROVED	

**ADAM TECH**  
 909 Railway Avenue, Union, NJ 07083  
 Phone: 908-687-5000 Fax: 908-687-5710

**TITLE:** RCA JACK, RIGHT ANGLE, 1 PORT  
**PCB MOUNT**



SIZE	PART NO.
X	RCA-2-X-X

REF: S00095T SCALE: NTS SHEET 1 OF 1

6

5

4

3

2

1