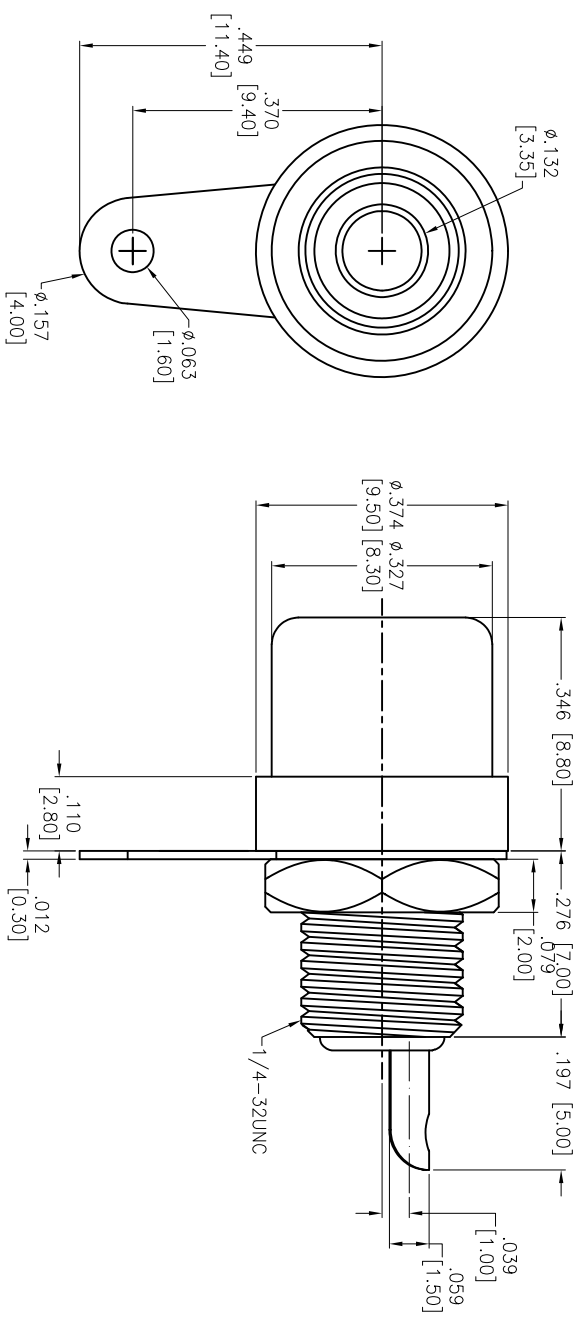
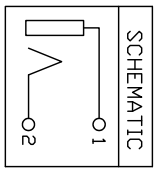


Rev	AWO #	Description	Date	Appr
-		RELEASED	07/18/13	

APPROVED: \_\_\_\_\_  
 DATE: \_\_\_\_\_ TITLE: \_\_\_\_\_



PART NO.	COLOR
RCA-21A-1-R	RED
RCA-21A-1-B	BLACK
RCA-21A-1-W	WHITE
RCA-21A-1-Y	YELLOW
RCA-21A-1-G	GREEN
RCA-21A-1-BL	BLUE



**SPECIFICATIONS:**

**Material:**  
 Insulator: PBT, Glass reinforced, rated UL 94V-0  
 Insulator color: See Chart  
 Insert Ring: PBT, Glass reinforced, rated UL 94V-0, Color: See Chart  
 Contact: Brass, Gold plated  
 Barrel: Brass, Gold plated  
 Nut: Brass, Gold plated  
 Washer: Brass, Gold plated  
**Electrical:**  
 Operating voltage: 12V DC / 100V AC  
 Current rating: 2A / 1A  
 Contact resistance: 30 mohms max. initial  
 Insulation resistance: 100 Mohms min.  
 Dielectric withstanding voltage: 500 VAC for 1 minute  
**Environmental:**  
 Lead free, RoHS compliant.

UNLESS OTHERWISE SPECIFIED  
 ALL DIMENSIONS ARE INCHES [MM]  
 TOLERANCES: EXCEPT AS NOTED  
 INCHES HOLEES  
 .X ± .10 ØXX ± .10  
 .XX ± .020 ØXXX ± .015  
 .XXX ± .015 ØXXXX ± .010

**ADAM TECH**

909 Rahway Avenue, Union, NJ 07083  
 Phone: 908-687-5000 Fax: 908-687-5710

RCA JACK, BULKHEAD MOUNT  
 SOLDER

APPROVALS	DATE
DRAWN TW	07/18/13
CHECKED AL	07/18/13
APPROVED	

TITLE	SIZE	PART NO.	REV.
RCA-21A-1-X	X	RCA-21A-1-X	-
REF: S00095T	SCALE: NTS	SHEET 1 OF 1	

6 5 4 3 2 1