

6

5

4

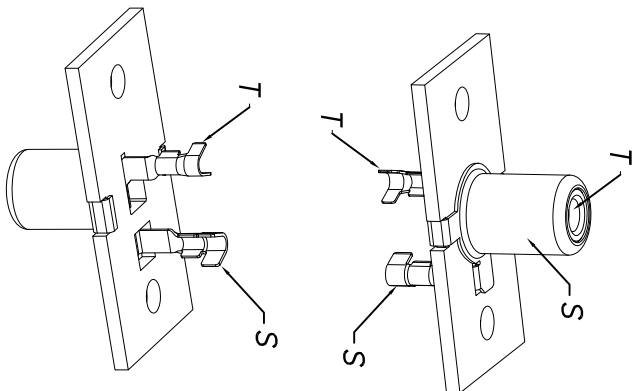
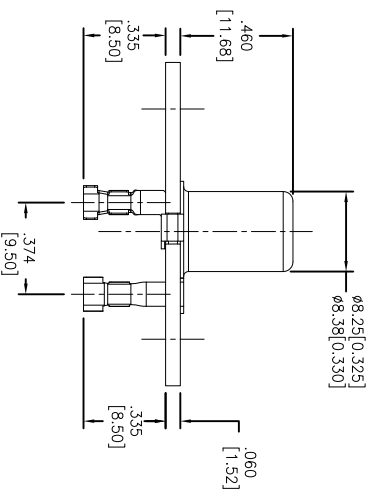
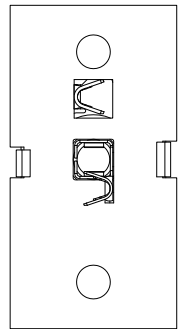
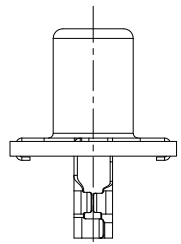
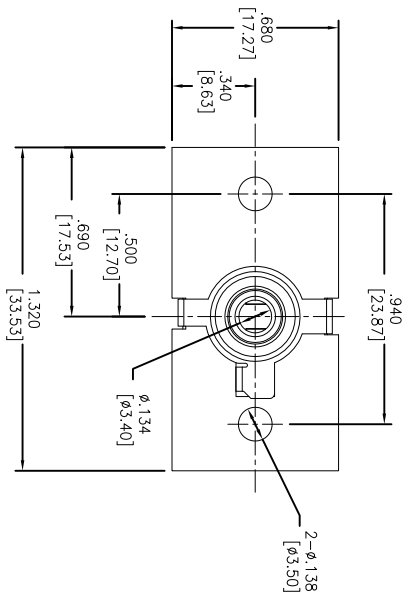
3

2

1

APPROVED: _____
 DATE: _____ TITLE: _____

Rev	AWO #	Description	Date	Appr
1	8155	PRELIMINARY RELEASE	5/21/09	
2	8155	PRELIMINARY RELEASE	5/21/09	

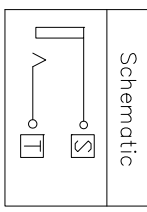


SPECIFICATIONS:

Material:
 Insulator: Hi-Temp Nylon 6T, UL 94V-0, color Black
 (One piece design mounting plate / bushing)
 Bushing: Brass, Nickel plated
 Contacts: Brass
 Plating:
 Tin over Copper underplate.

Electrical:
 Operation voltage: 540V DC max.
 Contact resistance: 30 mohms max.
 Insulation resistance: 100 Mohms min
 Dielectric withstanding voltage: 700 VAC for 1 minute

Mechanical:
 Recommended wire size: 22 - 24 Awg
Environmental:
 Temperature rating:
 Operating temperature: -40°C to +175°C
 Lead free, RoHS compliant.



UNLESS OTHERWISE SPECIFIED ALL DIMENSIONS ARE INCHES [MM]	
TOLERANCES: EXCEPT AS NOTED	
INCHES	HOLES
.X ± .10	ØXX ± .10
.XX ± .020	ØXXX ± .015
.XXX ± .015	ØXXXX ± .010
APPROVALS	DATE
SS	5/21/09

ADAM TECH
 909 Railway Avenue, Union, NJ 07083
 Phone: 908-687-5000 Fax: 908-687-5710

DRAWN	SS	5/21/09	TITLE	RCA JACK, SINGLE PORT, VERTICAL, PANEL TYPE, CRIMP CONNECTIONS
CHECKED			SIZE	PART NO.
APPROVED			X	RCA-22-1-W-C2
			REF:	SCALE: NTS
				SHEET 1 OF 1

6

5

4

3

2

1

A