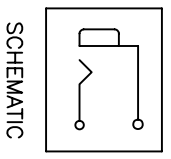
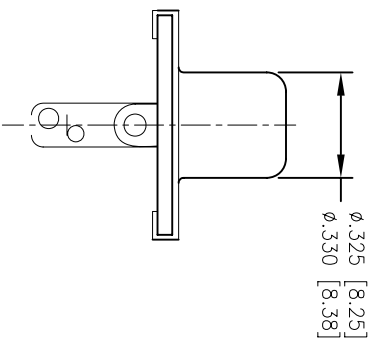
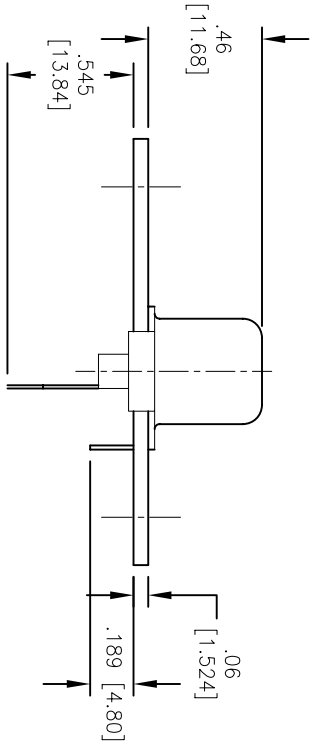
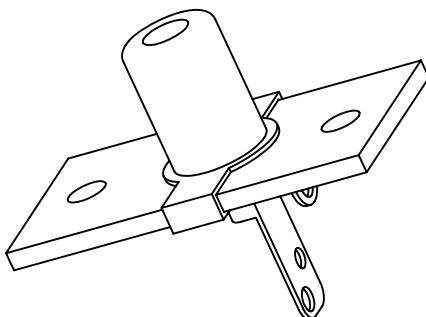
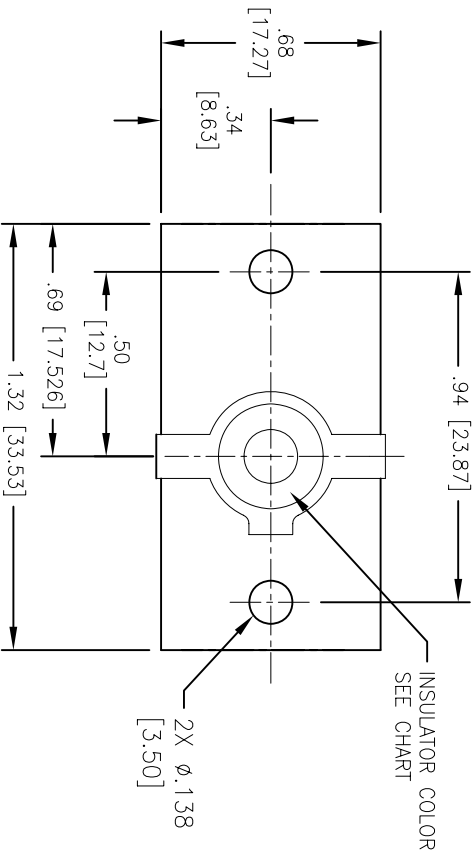


APPROVED: \_\_\_\_\_  
 DATE: \_\_\_\_\_ TITLE: \_\_\_\_\_

Rev	AWO #	Description	Date	Appr
-	8155	RELEASED	10/12/07	
A		UPDATED DIMENSIONS	4/14/09	



**SPECIFICATIONS:**

- Material: Insulator: Ceramic, color White
- Insulator colors: Red, White, Black & Yellow
- Bushing: Brass, Nickel plated
- Contacts: Brass
- Plate: Phenolic Board, color Brown
- Plating: Tin over Copper underplate.

- Electrical: Operation voltage: 540V DC max.
- Contact resistance: 30 mohms max.
- Insulation resistance: 100 Mohms min
- Dielectric withstanding voltage: 700 VAC for 1 minute
- Environmental: Temperature rating: Operating temperature: -40°C to +175°C
- Lead free, RoHS compliant.
- Recommended soldering temp: 260°C for 5 sec.

Operating temperature: -40°C to +175°C  
 Lead free, RoHS compliant.  
 Recommended soldering temp: 260°C for 5 sec.



UNLESS OTHERWISE SPECIFIED ALL DIMENSIONS ARE INCHES [MM]	
TOLERANCES: EXCEPT AS NOTED	
INCHES	HOLES
X ± .10	ØX ± .10
.XX ± .020	ØXX ± .015
.XXX ± .015	ØXXX ± .010
APPROVALS	DATE
DRAWN SS	10/12/07
CHECKED	
APPROVED	

**ADAM TECH**  
 909 Railway Avenue, Union, NJ 07083  
 Phone: 908-687-5000 Fax: 908-687-5710

TITLE: RCA JACK, SINGLE PORT, VERTICAL,  
 PANEL TYPE, SOLDER CONNECTIONS

SIZE: X PART NO.: RCA-22-1-W REV: A

REF: SCALE: NTS SHEET 1 OF 1