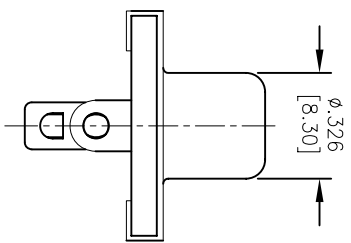
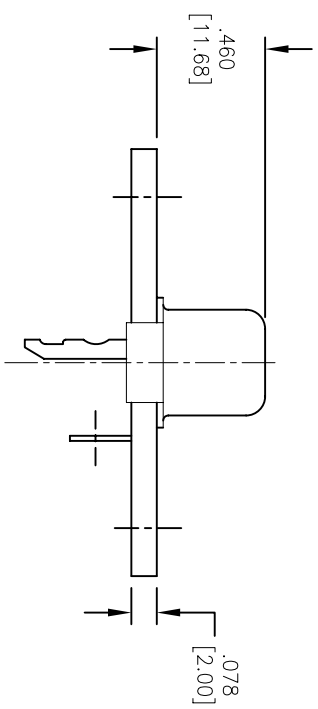
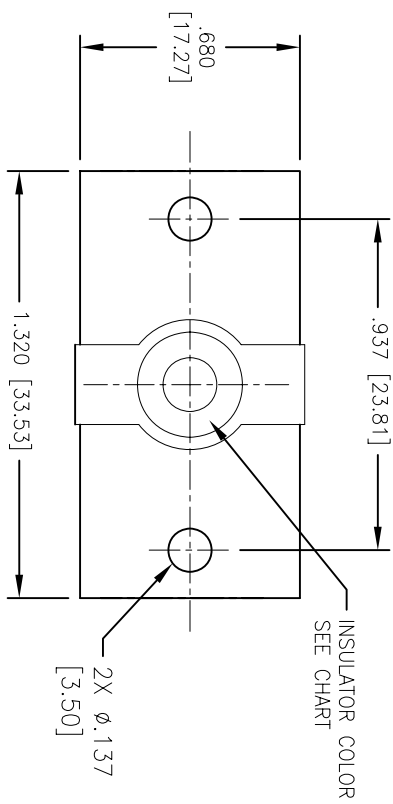
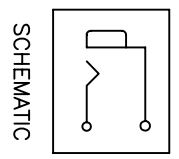


Rev	AWO #	Description	Date	Appr
-	8155	RELEASED	10/12/07	

APPROVED: _____
 DATE: _____ TITLE: _____



COLOR	P/N:
RED	RCA-22-1-R
WHITE	RCA-22-1-W
BLACK	RCA-22-1-B
YELLOW	RCA-22-1-Y



SCHMATIC

SPECIFICATIONS:

Material: Insulator: PBT, glass reinforced thermoplastic, rated UL 94V-0

Insulator colors: Red, White, Black & Yellow

Bushing: Brass, Nickel plated

Contacts: Brass

Plate: Phenol Resin color Black

Plating: Tin or Silver over Copper underplate.

Electrical: Operation voltage: 12V DC max.

Current rating: 1 Amp max

Contact resistance: 30 mohms max.

Insulation resistance: 100 Mohms min

Dielectric withstanding voltage: 500 VAC for 1 minute

Environmental: Temperature rating:

Operating temperature: -25°C to +80°C

Lead free, RoHS compliant.

Recommended soldering temp: 235°C for 5 sec.



ADAM TECH

909 Rahway Avenue, Union, NJ 07083
 Phone: 908-687-5000 Fax: 908-687-5710

RCA JACK, SINGLE PORT, VERTICAL,
 PANEL TYPE, SOLDER CONNECTIONS

UNLESS OTHERWISE SPECIFIED ALL DIMENSIONS ARE INCHES [MM]	
TOLERANCES: EXCEPT AS NOTED	
INCHES	HOLDS
.X ±.10	ØX ±.10
.XX ±.020	ØXXX ±.015
.XXX ±.015	ØXXX ±.010
APPROVALS	DATE
DRAWN SS	10/12/07
CHECKED	
APPROVED	

TITLE	RCA JACK, SINGLE PORT, VERTICAL, PANEL TYPE, SOLDER CONNECTIONS	
SIZE	PART NO.	REV.
X	RCA-22-1-X	
REF:	SCALE: NTS	SHEET 1 OF 1