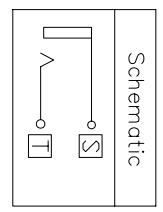
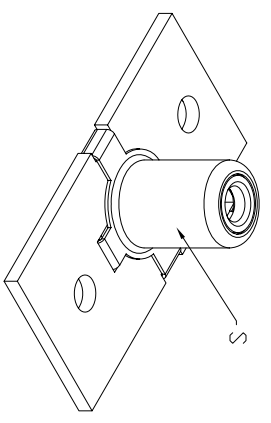
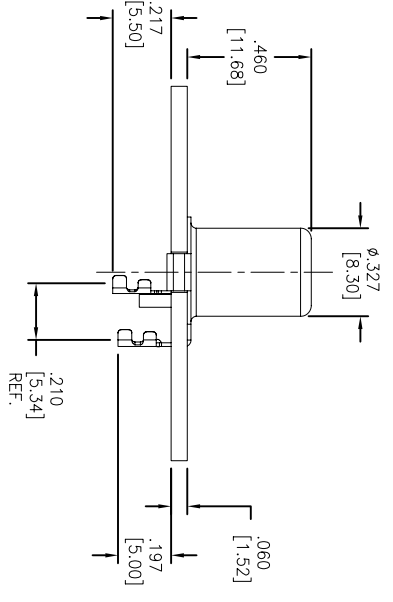
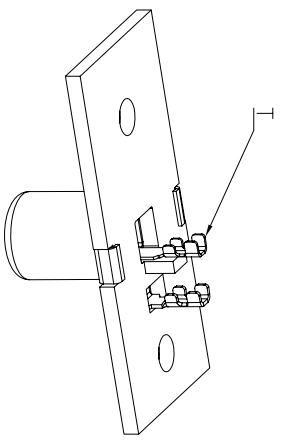
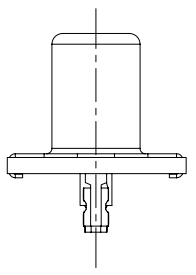
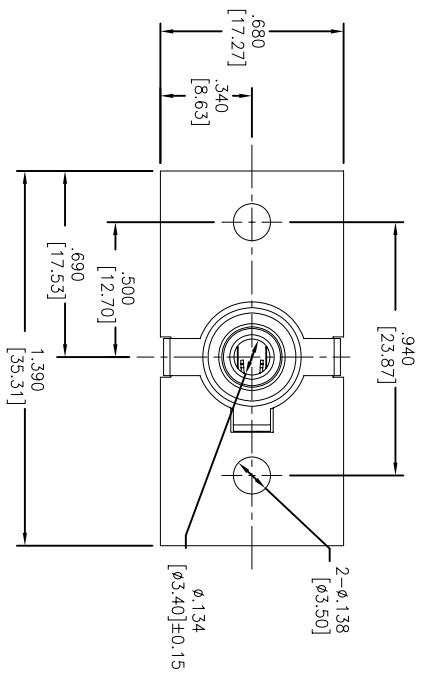


Rev	AWO #	Description	Date	Appr
-	8155	RELEASED	5/19/09	

APPROVED: \_\_\_\_\_  
 DATE: \_\_\_\_\_ TITLE: \_\_\_\_\_



**SPECIFICATIONS:**  
**Material:**  
 Insulator: Ceramic, color White  
 Bushing: Brass, Nickel plated  
 Contacts: Brass  
 Plate: Phenolic Fiber Board, color Brown  
 Plating:  
 Tin over Copper underplate.

**Electrical:**  
 Operation voltage: 540V DC max.  
 Contact resistance: 30 mohms max.  
 Insulation resistance: 100 Mohms min  
 Dielectric withstanding voltage: 700 VAC for 1 minute  
**Environmental:**  
 Temperature rating:  
 Operating temperature: -40°C to +175°C  
 Lead free, RoHS compliant.  
 Recommended soldering temp: 260°C for 5 sec.

**RECOMMENDED SOLDERING TEMP: 260°C FOR 5 SEC.**



**ADAM TECH**

909 Railway Avenue, Union, NJ 07083  
 Phone: 908-687-5000 Fax: 908-687-5710

RCA JACK, SINGLE PORT, VERTICAL,  
 PANEL TYPE, CRIMP CONNECTIONS

UNLESS OTHERWISE SPECIFIED ALL DIMENSIONS ARE INCHES [MM]	
TOLERANCES: EXCEPT AS NOTED	
INCHES	HOLES
.X ±.10	Ø.X ±.10
.XX ±.020	Ø.XXX ±.015
.XXX ±.015	Ø.XXX ±.010
APPROVALS	DATE
DRAWN SS	5/19/09
CHECKED	
APPROVED	

TITLE	RCA JACK, SINGLE PORT, VERTICAL, PANEL TYPE, CRIMP CONNECTIONS	
SIZE	PART NO.	REV.
X	RCA-22A-1-W-C1	-
REF:	SCALE: NTS	SHEET 1 OF 1

6 5 4 3 2 1