

6

5

4

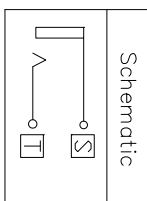
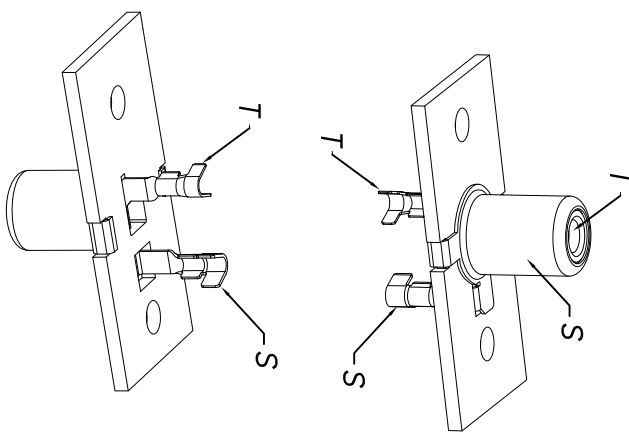
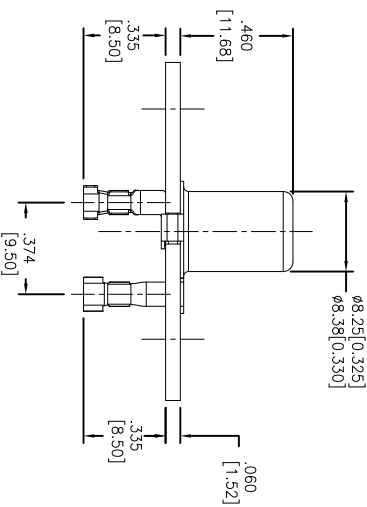
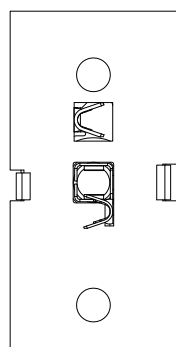
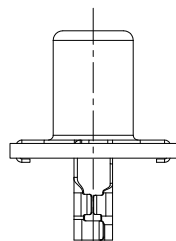
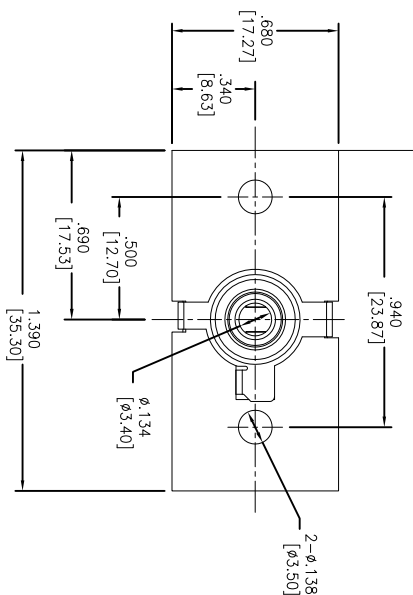
3

2

1

APPROVED: _____
DATE: _____ TITLE: _____

Rev	AWO #	Description	Date	Appr
1	8155	PRELIMINARY RELEASE	5/21/09	
2	8155	PRELIMINARY RELEASE	5/21/09	



SPECIFICATIONS:

Material:
 Insulator: Hi-Temp Nylon 6T, UL 94V-0, color Black
 (One piece design mounting plate / bushing)
 Bushing: Brass, Nickel plated
 Contacts: Brass
 Plating:
 Tin over Copper underplate.

A

Electrical:
 Operation voltage: 540V DC max.
 Contact resistance: 30 mohms max.
 Insulation resistance: 100 Mohms min
 Dielectric withstanding voltage: 700 VAC for 1 minute

Mechanical:
 Recommended wire size: 22 - 24 Awg

Environmental:
 Temperature rating:
 Operating temperature: -40°C to +175°C
 Lead free, RoHS compliant.

ADAM TECH

909 Railway Avenue, Union, NJ 07083
 Phone: 908-687-5000 Fax: 908-687-5710

TITLE: RCA JACK, SINGLE PORT, VERTICAL,
 EXTENDED PANEL TYPE, CRIMP CONNECTIONS

UNLESS OTHERWISE SPECIFIED ALL DIMENSIONS ARE INCHES [MM]		TOLERANCES: EXCEPT AS NOTED	
INCHES		HOLES	
.X	± .10	Ø.X	± .10
.XX	± .020	Ø.XXX	± .015
.XXX	± .015	Ø.XXX	± .010
APPROVALS		DATE	
DRAWN	SS	5/21/09	
CHECKED			
APPROVED			
SIZE	PART NO.	SCALE:	REV.
X	RCA-22A-1W-C2	NTS	2
REF:		SHEET	1 OF 1

6

5

4

3

2

1