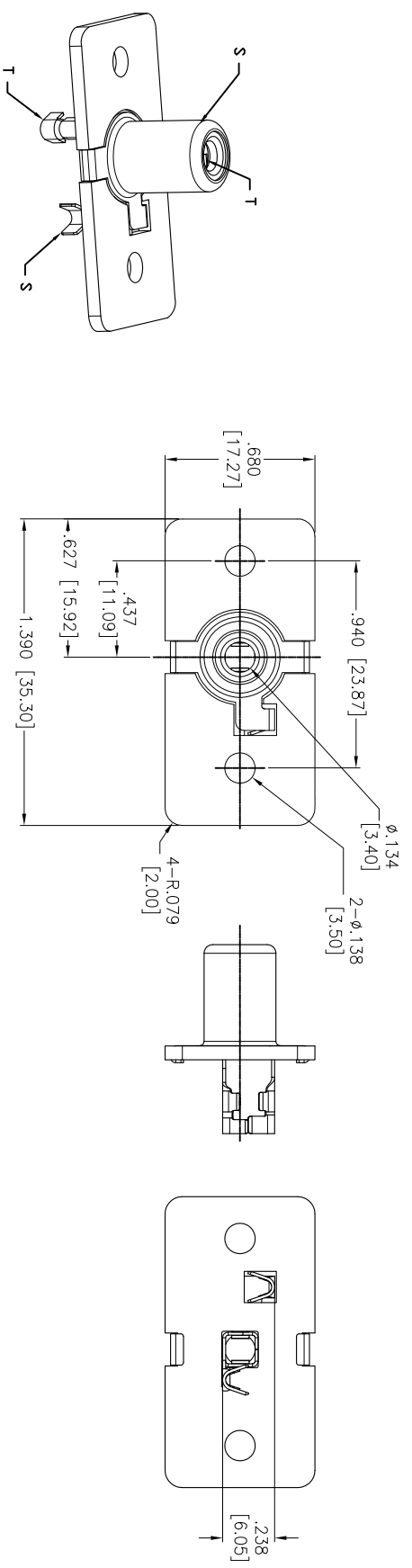
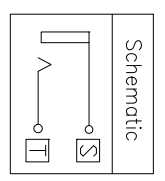
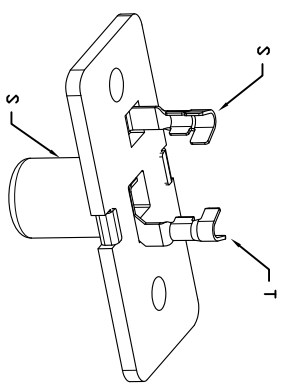
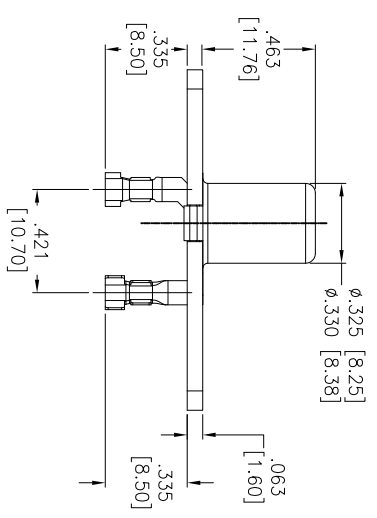


APPROVED: \_\_\_\_\_ TITLE: \_\_\_\_\_  
 DATE: \_\_\_\_\_

Rev	AWO #	Description	Date	Appr
-	8155	RELEASED	7/21/09	
A	8155	UPDATED DIA & CHGD INSULATION RES	7/29/09	
B	8155	HOLE DIA .013 WAS .014	7/30/09	
C	8155	REVISED SPEC.	9/25/09	
D	8155	UPDATED TOLERANCE BLOCK	1/27/10	



**SPECIFICATIONS:**  
 Material: Hi-Temp Nylon 9T, UL 94V-0, color Black  
 (One piece design mounting plate / bushing)  
 Washer: PBT, UL 94V-0, color White  
 Bushing: Brass, Nickel Plated  
 Contacts: Phosphor Bronze  
 Contact plating: Tin over Copper underplate  
 Electrical: Voltage Rating: 540V DC max.  
 Contact resistance: 30 mohms max.  
 Insulation resistance: 100 Mohms min @1000V DC  
 Dielectric withstanding voltage: 700 VAC for 1 minute  
 Mechanical: Life: 1000 Cycles  
 Insertion / Withdrawal: 3-30N  
 Recommended wire size: 22 - 24 Awg  
 Temperature rating: Operating temperature: -40°C to +175°C  
 Environmental: Recommended soldering temp: 260°C for 5 sec.  
 Lead free, RoHS compliant.



**ADAM TECH**  
 909 Railway Avenue, Union, NJ 07083  
 Phone: 908-687-5000 Fax: 908-687-5710

**RCA JACK, SINGLE PORT, VERTICAL, PANEL TYPE, CRIMP CONNECTIONS**

UNLESS OTHERWISE SPECIFIED  
 ALL DIMENSIONS ARE INCHES [MM]  
 TOLERANCES: EXCEPT AS NOTED  
 INCHES HOLE SIZES  
 .X ± .10 ØX ± .10  
 .XX ± .010 ØXX ± .010  
 .XXX ± .005 ØXXX ± .005  
 APPROVALS: DATE: 7/21/09  
 DRAWN: SS  
 CHECKED: X  
 APPROVED: X  
 SIZE: PART NO. RCA-22A-1-W-C3  
 REF: S0002C SCALE: NTS SHEET 1 OF 1  
 REV: D