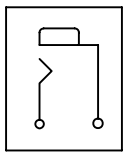
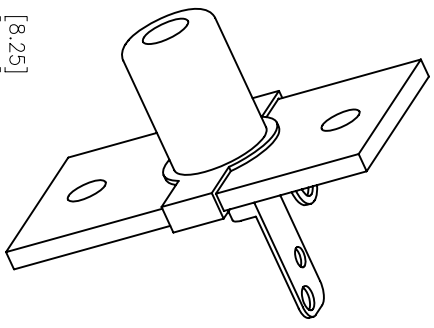
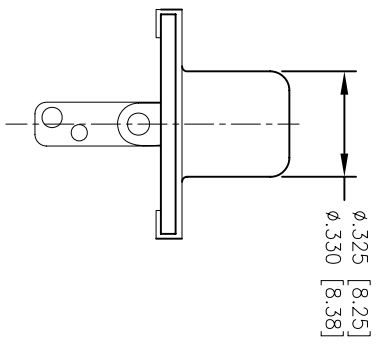
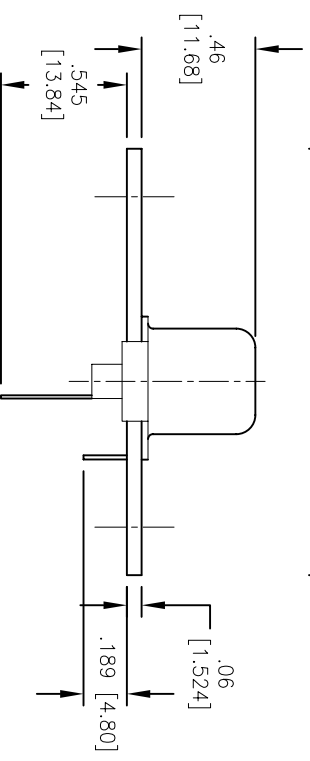
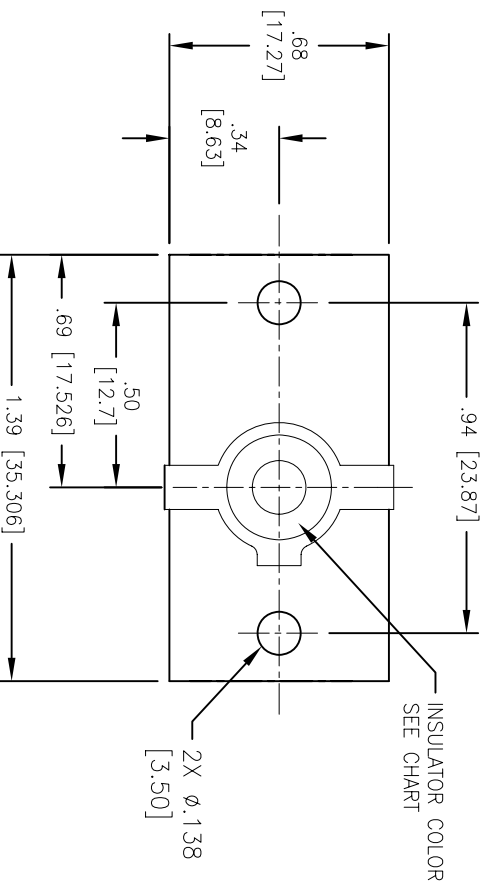


APPROVED: \_\_\_\_\_  
 DATE: \_\_\_\_\_ TITLE: \_\_\_\_\_

Rev	AWO #	Description	Date	Appr
-	8155	RELEASED	4/14/09	
A		UPDATED DIMENSIONS	4/14/09	



SCHMATIC

**SPECIFICATIONS:**

**Material:**  
 Insulator: Ceramic, color White  
 Insulator colors: Red, White, Black & Yellow  
 Bushing: Brass, Nickel plated  
 Contacts: Brass  
 Plate: Phenolic Board, color Brown  
 Plating:  
 Tin over Copper underplate.

**Electrical:**  
 Operation voltage: 540V DC max.  
 Contact resistance: 30 mohms max.  
 Insulation resistance: 100 Mohms min  
 Dielectric withstanding voltage: 700 VAC for 1 minute

**Environmental:**  
 Temperature rating:  
 Operating temperature: -40°C to +175°C  
 Lead free, RoHS compliant.  
 Recommended soldering temp: 260°C for 5 sec.



UNLESS OTHERWISE SPECIFIED ALL DIMENSIONS ARE INCHES [MM]	
TOLERANCES: EXCEPT AS NOTED	
INCHES	
X ± .10	$\phi$ X ± .10
.XX ± .020	$\phi$ .XX ± .015
.XXX ± .015	$\phi$ .XXX ± .010
APPROVALS	DATE
DRAWN	SS 4/14/09
CHECKED	
APPROVED	

**ADAM TECH**  
 909 Rahway Avenue, Union, NJ 07083  
 Phone: 908-687-5000 Fax: 908-687-5710

TITLE: RCA JACK, SINGLE PORT, VERTICAL,  
 PANEL TYPE, SOLDER CONNECTIONS

SIZE	PART NO.	REV.
X	RCA-22A-1-W	A

REF: SCALE: NTS SHEET 1 OF 1