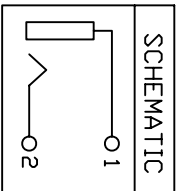
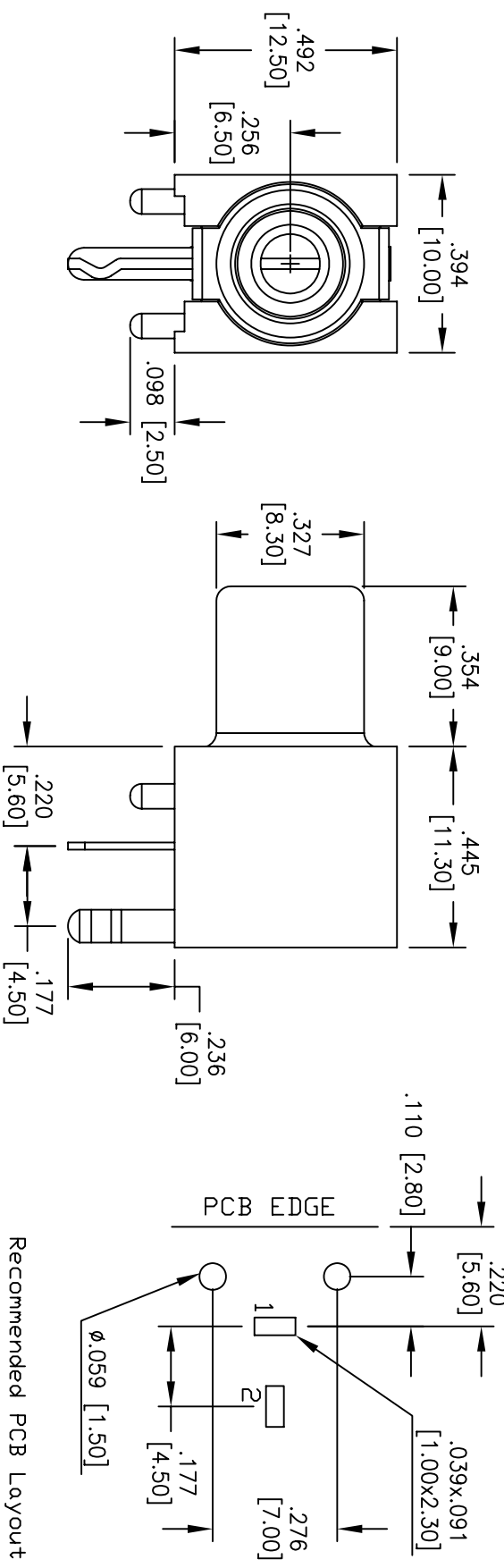


Rev	AWO #	Description	Date	Appr
-	8885	RELEASED	6/30/08	

APPROVED: _____ TITLE: _____
 DATE: _____



COLOR	P/N:
RED	RCA-24-1-R
WHITE	RCA-24-1-W
BLACK	RCA-24-1-B
YELLOW	RCA-24-1-Y

Recommended PCB Layout
 BOTTOM VIEW

SPECIFICATIONS:

Material:
 Insulator: PBT, glass reinforced thermoplastic, rated UL 94V-0
 Insulator colors available: Red, White, Black & Yellow
 Bushing: Brass, Nickel plated
 Contacts: Brass
 Plating:
 Gold over Copper underplate.
Electrical:
 Operation voltage: 12V DC max.
 Current rating: 1 Amp max
 Contact resistance: 30 mohms max.
 Insulation resistance: 100 Mohms min
 Dielectric withstanding voltage: 500 VAC for 1 minute
Environmental:
 Operating temperature: -25°C to +80°C
 Lead free, RoHS compliant.
 Recommended soldering temp: 235°C for 5 sec.



UNLESS OTHERWISE SPECIFIED
 ALL DIMENSIONS ARE INCHES [MM]
 TOLERANCES EXCEPT AS NOTED
 INCHES HOLE:
 .XX ± .10 ØXX ± .015
 .XXX ± .020 ØXXX ± .010
 .XXXX ± .015

APPROVALS	DATE	
DRAWN	DY	6/30/08
CHECKED		
APPROVED		

ADAM TECH
 909 Rahway Avenue, Union, NJ 07083
 Phone: 908-687-5000 Fax: 908-687-5710

TITLE: RCA JACK, RIGHT ANGLE,
 PCB MOUNT

SIZE: X PART NO.: RCA-24-1-X
 REF: SCALE: NTS SHEET 1 OF 1