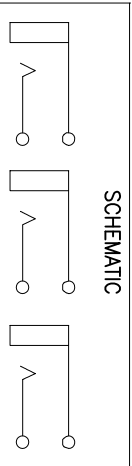
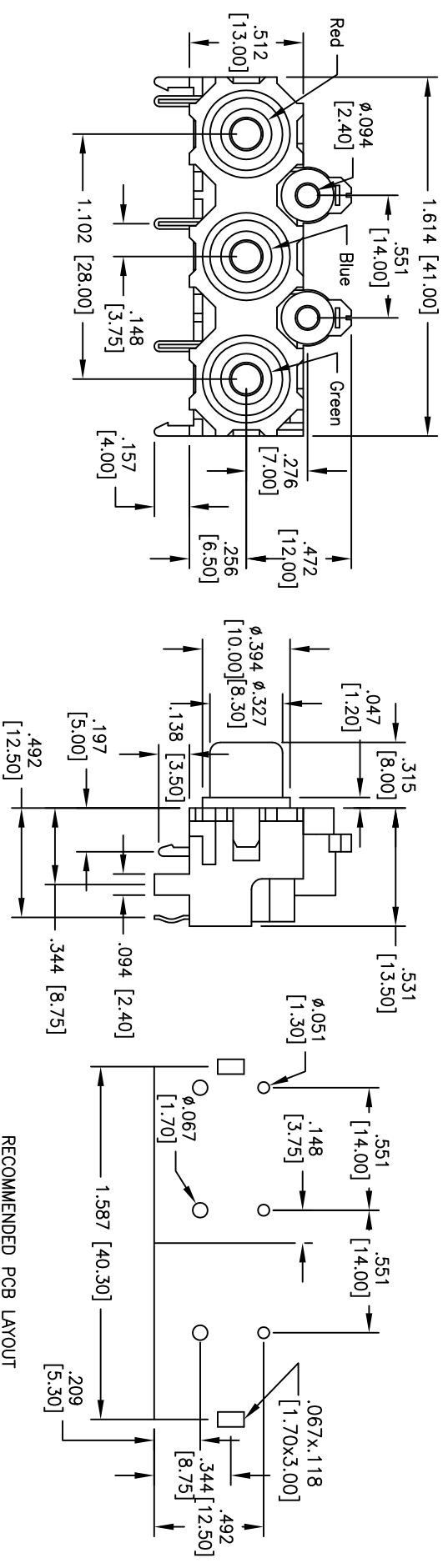


APPROVED: _____ TITLE: _____
 DATE: _____

Rev	AWO #	Description	Date	Appr
-		RELEASED	9/7/12	
A		REVISED DIM.	1/22/13	



SPECIFICATIONS:
 Material:
 Housing: ABS, color Black
 Insulator colors: Red, Blue, Green
 Contacts: Brass
 Plating:
 Tin over Copper underplate.
 Electrical:
 Operation voltage: 50V DC
 Current rating: 0.3 Amps
 Contact resistance: 30 mohms max.
 Insulation resistance: 100 Mohms min
 Dielectric withstanding voltage: 500 VAC for 1 minute
 Temperature rating:
 Operating temperature: -25°C to +80°C
 Environmental:
 Lead free, RoHS compliant.

UNLESS OTHERWISE SPECIFIED ALL DIMENSIONS ARE INCHES [MM] TOLERANCES: EXCEPT AS NOTED		INCHES		HOLES	
.X	± .10	ØX	± .10		
.XX	± .020	ØXXX	± .015		
.XXX	± .015	ØXXX	± .010		
APPROVALS		DATE			
DRAWN	AY	9/7/12			
CHECKED	AL	9/7/12			
APPROVED					
TITLE		SIZE		PART NO.	
RCA JACK, RIGHT ANGLE, PCB		X		RCA-25-1-R/BL/G	
RED/BLUE/GREEN		REF: S00002C		SCALE: NTS	
ADAM TECH		909 Railway Avenue, Union, NJ 07083		Phone: 908-687-5000 Fax: 908-687-5710	
REV. A		SHEET 1 OF 1			

