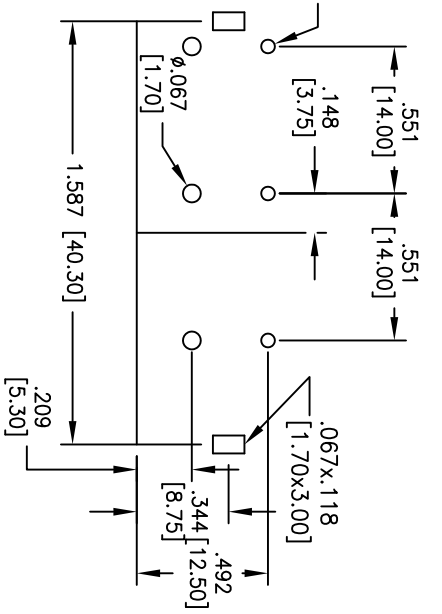
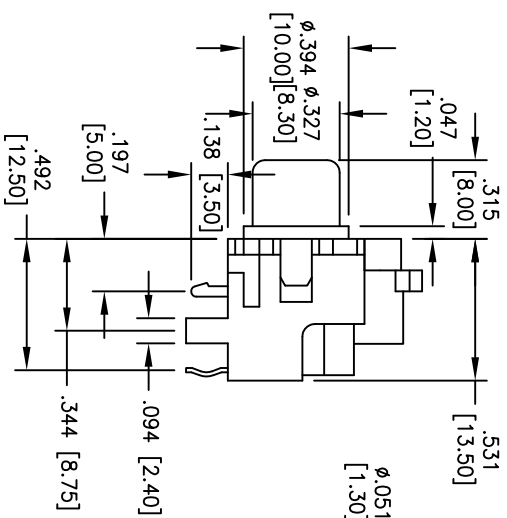
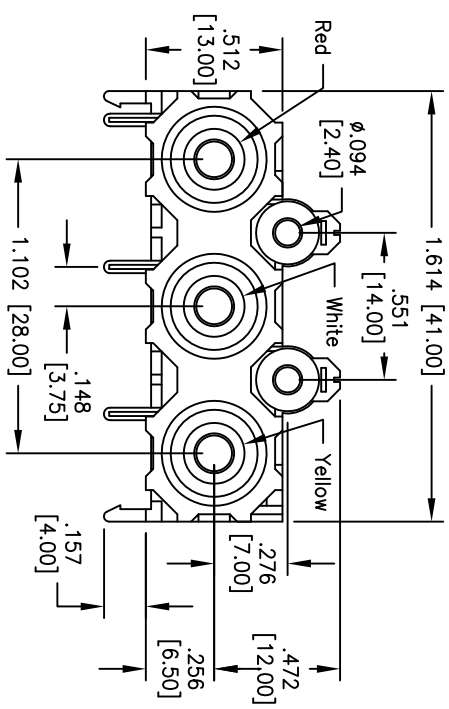


Rev	AWO #	Description	Date	Appr
-		RELEASED	5/11/09	

APPROVED: _____
 DATE: _____ TITLE: _____



RECOMMENDED PCB LAYOUT
(TOP VIEW)

SPECIFICATIONS:

Material:
 Housing: ABS, color Yellow
 Insulator colors: Red, White, Yellow
 Contacts: Brass
 Plating:
 Tin over Copper underplate.

Electrical:
 Operation voltage: 50V DC
 Current rating: 0.3 Amps
 Contact resistance: 30 mohms max.
 Insulation resistance: 100 Mohms min
 Dielectric withstanding voltage: 500 VAC for 1 minute
 Temperature rating:
 Operating temperature: -25°C to +80°C
 Environmental:
 Lead free, RoHS compliant.



ADAM TECH

909 Railway Avenue, Union, NJ 07083
 Phone: 908-687-5000 Fax: 908-687-5710

TITLE
 RCA JACK, RIGHT ANGLE, PCB
 RED/WHITE/YELLOW

UNLESS OTHERWISE SPECIFIED ALL DIMENSIONS ARE INCHES [MM]		TOLERANCES: EXCEPT AS NOTED	
INCHES	± .10	ØXX	± .015
XX	± .020	ØXXX	± .015
.XXX	± .015	ØXXXX	± .010
APPROVALS		DATE	
DRAWN	DY	5/11/09	
CHECKED			
APPROVED			
SIZE	PART NO.	SCALE:	SHEET 1 OF 1
X	RCA-25-1-R/W/Y-Y	NTS	
REF:	S00002C		