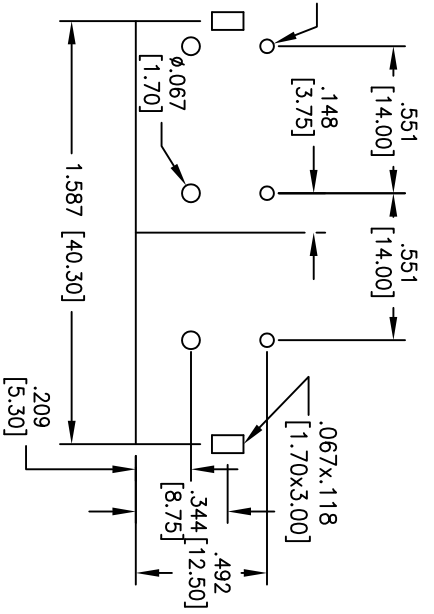
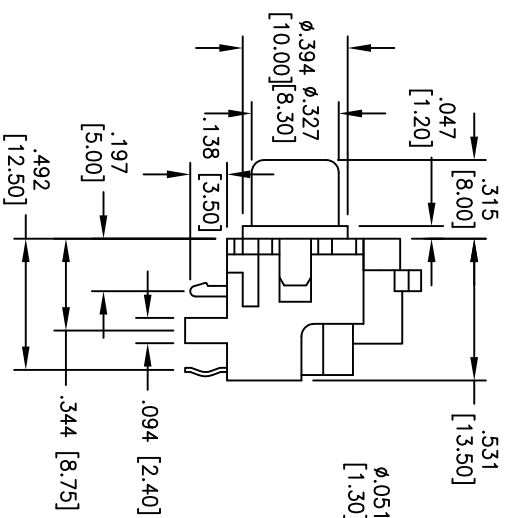
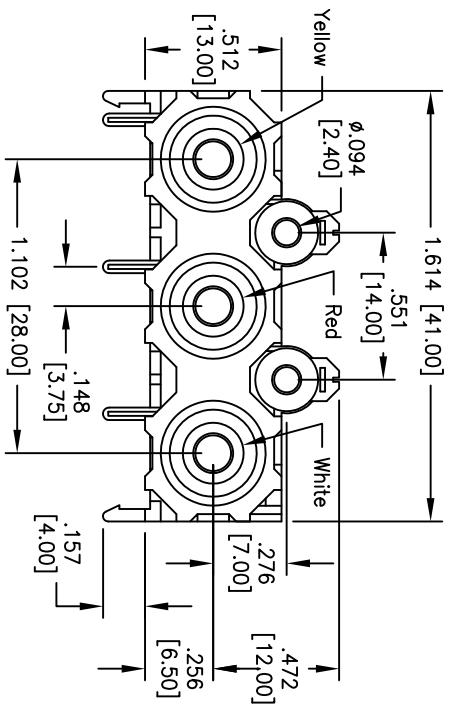
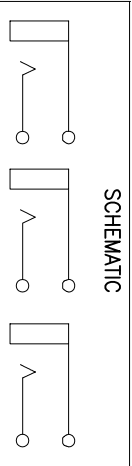


Rev	AWO #	Description	Date	Appr
-		RELEASED	4/26/11	

APPROVED: _____ TITLE: _____
 DATE: _____



RECOMMENDED PCB LAYOUT
(TOP VIEW)



SPECIFICATIONS:
 Material: ABS, color Yellow
 Housing: ABS, color Yellow
 Insulator colors: Yellow, Red, White
 Contacts: Brass
 Plating: Tin over Copper underplate.
 Electrical:
 Operation voltage: 50V DC
 Current rating: 0.3 Amps
 Contact resistance: 30 mohms max.
 Insulation resistance: 100 Mohms min
 Dielectric withstanding voltage: 500 VAC for 1 minute
 Temperature rating:
 Operating temperature: -25°C to +80°C
 Environmental:
 Lead free, RoHS compliant.



ADAM TECH

909 Railway Avenue, Union, NJ 07083
 Phone: 908-687-5000 Fax: 908-687-5710

TITLE
 RCA JACK, RIGHT ANGLE, PCB
 YELLOW/RED/WHITE

UNLESS OTHERWISE SPECIFIED ALL DIMENSIONS ARE INCHES [MM] TOLERANCES: EXCEPT AS NOTED	INCHES	MM	HOLES	DATE	SIZE	PART NO.	REV.
.X	± .10	± .10	Ø.X	± .10			
.XX	± .020	± .015	Ø.XX	± .015			
.XXX	± .015	± .010	Ø.XXX	± .010			
APPROVALS							
DRAWN	DY			4/26/11			
CHECKED							
APPROVED							
REF: S0002C							
SCALE: NTS							
SHEET 1 OF 1							