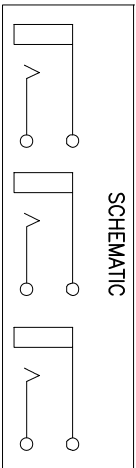
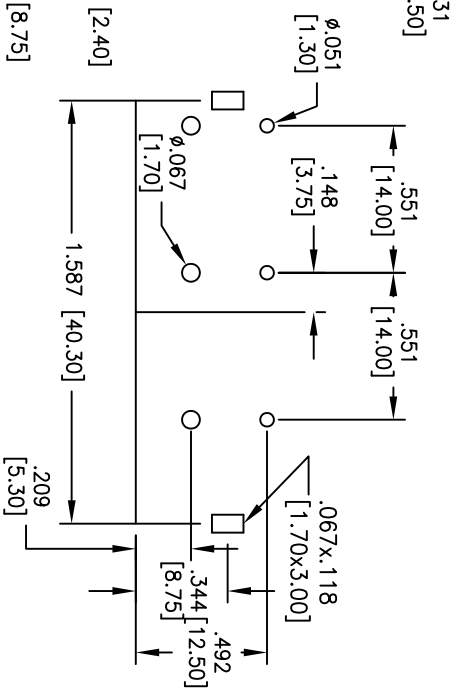
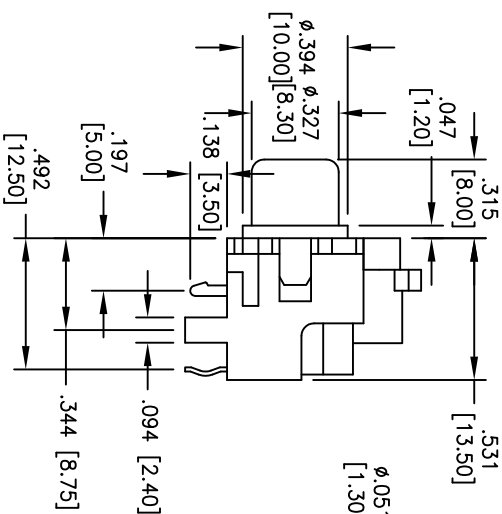
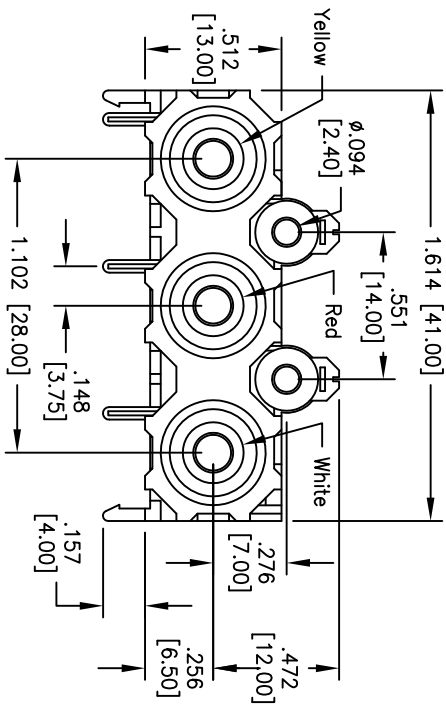


APPROVED: \_\_\_\_\_  
 DATE: \_\_\_\_\_ TITLE: \_\_\_\_\_

Rev	AWO #	Description	Date	Appr
-		RELEASED	9/7/12	
A		REVISED DIM.	1/22/13	



RECOMMENDED PCB LAYOUT (TOP VIEW)

**SPECIFICATIONS:**

- Material: Housing: ABS, color Black; Insulator colors: Yellow, Red, White; Contacts: Brass
- Plating: Tin over Copper underplate.
- Electrical: Operation voltage: 50V DC; Current rating: 0.3 Amps; Contact resistance: 30 mohms max.; Insulation resistance: 100 Mohms min.; Dielectric withstanding voltage: 500 VAC for 1 minute
- Temperature rating: Operating temperature: -25°C to +80°C
- Environmental: Lead free, RoHS compliant.



**ADAM TECH**  
 909 Rahway Avenue, Union, NJ 07083  
 Phone: 908-687-5000 Fax: 908-687-5710

TITLE: RCA JACK, RIGHT ANGLE, PCB  
 YELLOW/RED/WHITE

UNLESS OTHERWISE SPECIFIED ALL DIMENSIONS ARE INCHES [MM] TOLERANCES: EXCEPT AS NOTED		Holes		DATE	
.X	± .10	Ø.X	± .10		
.XX	± .020	Ø.XX	± .015		
.XXX	± .015	Ø.XXX	± .010		
APPROVALS		DATE			
DRAWN	AY	9/7/12			
CHECKED	AL	9/7/12			
APPROVED					
SIZE	PART NO.	TITLE		REV.	
X	RCA-25-1-Y/R/W	RCA JACK, RIGHT ANGLE, PCB YELLOW/RED/WHITE		A	
REF:	S0002C	SCALE:	NTS	SHEET	1 OF 1