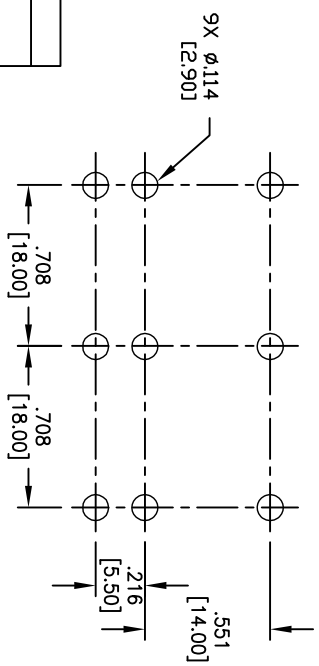
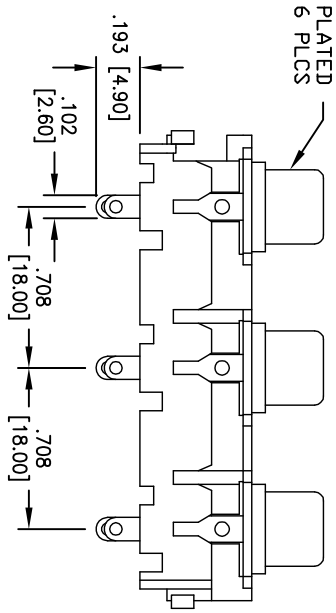
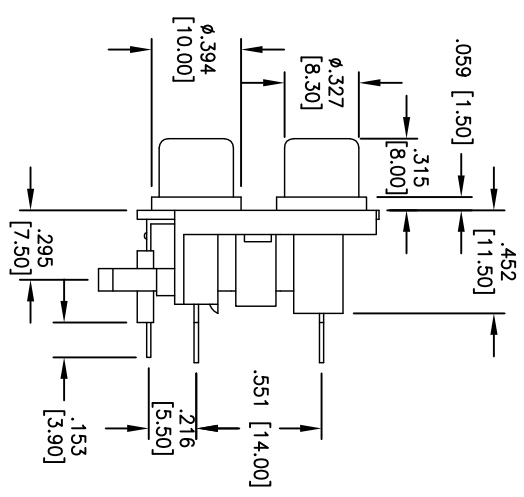
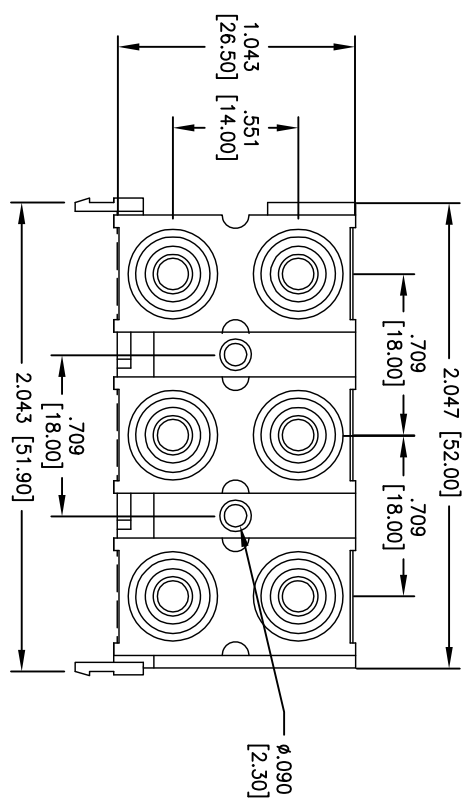


Rev	AWO #	Description	Date	Appr
-		RELEASED	7/1/09	

APPROVED: \_\_\_\_\_  
 DATE: \_\_\_\_\_ TITLE: \_\_\_\_\_



COLOR = BLACK (TOP PORT) / BLACK = (BOTTOM PORT)

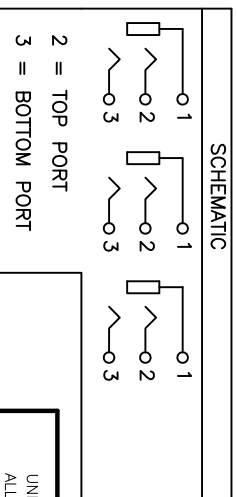
GOLD PLATED BARRELS, 6 PLCS

**SPECIFICATIONS:**

- Material: Insulator: PBT, Glass reinforced, rated UL 94V-0
- Insulator colors: Black, Black Insert Ring
- Bushing: Brass, Gold Plated
- Contacts: Brass
- Plating: Tin or Silver over Copper underplate

- Electrical: Operating voltage: 12 VDC max.
- Current rating: 1 Amp max.
- Contact resistance: 30 mohms max. initial
- Insulation resistance: 100 Mohms min.
- Dielectric withstanding voltage: 500 VAC for 1 minute

- Temperature Rating: Operating temperature: -25°C to +85°C
- Environmental: Lead free, RoHS compliant.
- Recommended soldering temp: 235°C for 5 sec



UNLESS OTHERWISE SPECIFIED ALL DIMENSIONS ARE INCHES [MM] TOLERANCES: EXCEPT AS NOTED INCHES HOLES: ØX ±.10 ØXX ±.015 ØXXX ±.010

**ADAM TECH**

909 Rahway Avenue, Union, NJ 07083  
 Phone: 908-687-5000 Fax: 908-687-5710

TITLE: RCA JACK, 6 PORTS, 2 X 3, LEFT/CENTER/RIGHT

APPROVALS	DATE
DRAWN SS	7/1/09
CHECKED	
APPROVED	

SIZE	PART NO.	REV.
X	RCA-26-4-B/B-B-G	
SCALE: NTS	SHEET 1 OF 1	