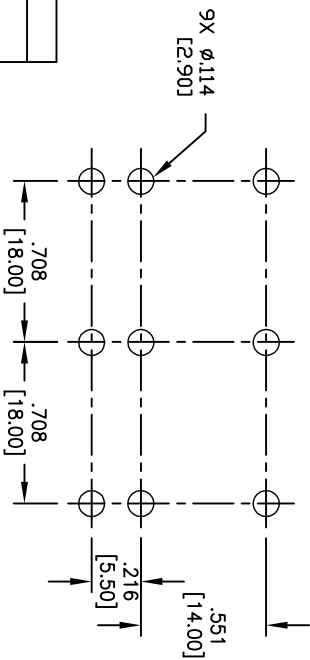
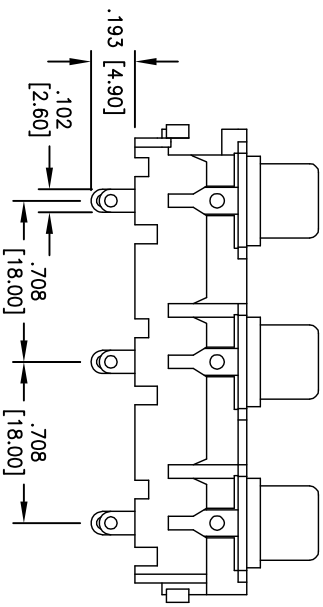
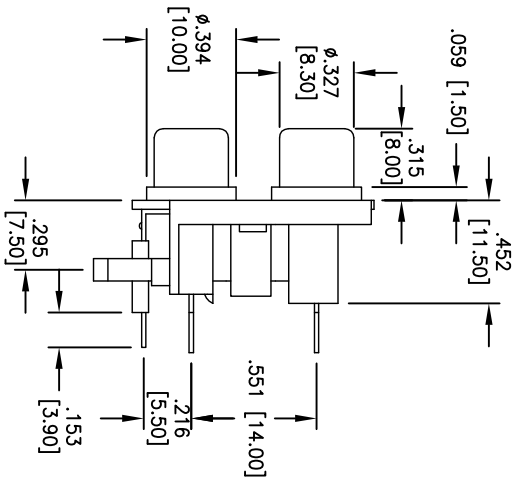
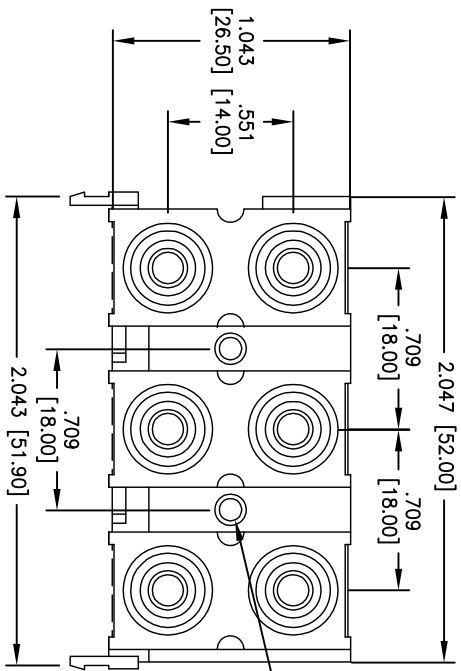


Rev	AWO #	Description	Date	Appr
-		RELEASED	12/10/04	

APPROVED: _____
 DATE: _____ TITLE: _____



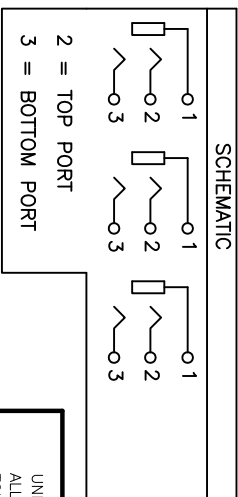
COLOR = X (TOP PORT) / X = (BOTTOM PORT)

SPECIFICATIONS:

Material: Insulator: PBT, Glass reinforced, rated UL 94V-0
 Insulator colors: Red, Black, Yellow, White
 Bushing: Brass, Nickel plated
 Contacts: Brass
 Plating: Tin or Silver over Copper underplate

Electrical: Operating voltage: 12 VDC max.
 Current rating: 1 Amp max.
 Contact resistance: 30 mohms max. initial
 Insulation resistance: 100 Mohms min.
 Dielectric withstanding voltage: 500 VAC for 1 minute

Temperature Rating: Operating temperature: -25°C to +85°C
 Environmental: Lead free, RoHS compliant.
 Recommended soldering temp: 235°C for 5 sec



UNLESS OTHERWISE SPECIFIED
 ALL DIMENSIONS ARE INCHES [MM]
 TOLERANCES: EXCEPT AS NOTED
 INCHES: .X ± .10 ØXX ± .10
 .XX ± .020 ØXXX ± .015
 .XXX ± .015

ADAM TECH

909 Rahway Avenue, Union, NJ 07083
 Phone: 908-687-5000 Fax: 908-687-5710

TITLE: RCA JACK, 6 PORTS, 2 X 3, LEFT/CENTER/RIGHT

APPROVALS	DATE	SIZE	PART NO.	REV.
DRAWN	SS	10/4/04	RCA-26-4-XXXX	
CHECKED				
APPROVED				

