

6

5

4

3

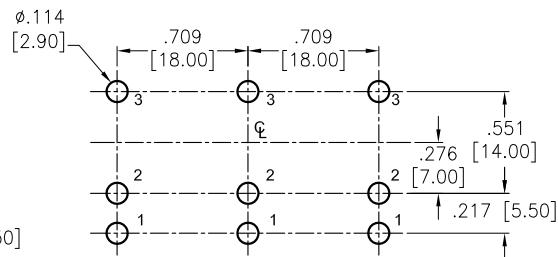
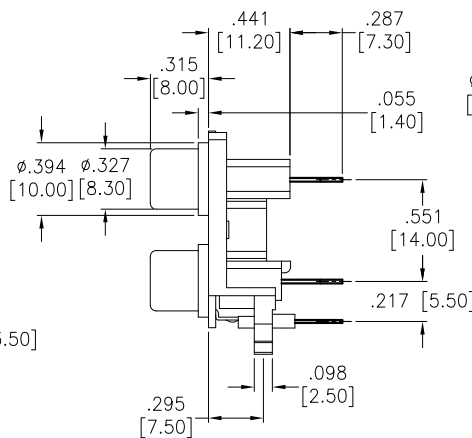
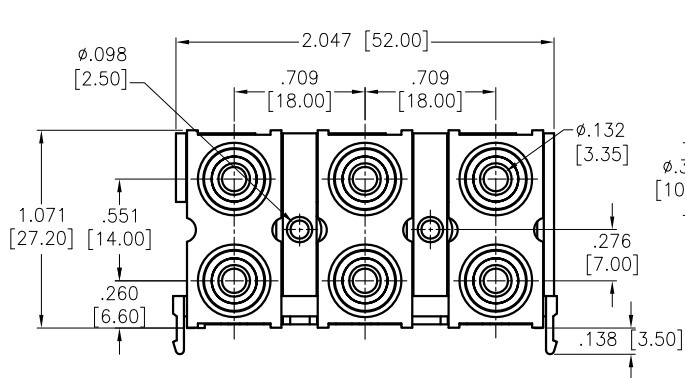
2

1

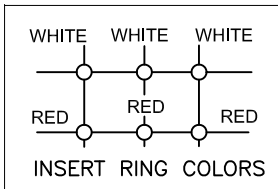
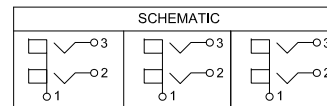
APPROVED: _____

DATE: _____ TITLE: _____

Rev	AWO #	Description	Date	Appr
-		RELEASED	1/22/16	



RECOMMENDED PCB LAYOUT
BOTTOM VIEW



SPECIFICATIONS:

- Material:
- Insulator: ABS, Glass reinforced, rated UL 94V-0
- Insulator colors: White
- Cover: ABS, Glass reinforced, rated UL 94V-0, colors: Black
- Insert Ring: PBT, Glass reinforced, rated UL 94V-0
- Insert Ring colors: White & Red
- Barrel: Brass, Nickel plated
- Contacts: Brass
- Plating:

A Tin over Copper underplate overall

- Electrical:
- Voltage & Current rating: 12 VDC 2A max, 100 VAC 1A max.
- Contact resistance: 30 mohms max. initial
- Insulation resistance: 100 Mohms min @ 500 V DC.
- Dielectric withstanding voltage: 500 VAC for 1 minute
- Environmental:
- Lead free, RoHS compliant.



UNLESS OTHERWISE SPECIFIED ALL DIMENSIONS ARE INCHES [MM] TOLERANCES: EXCEPT AS NOTED INCHES HOLES		ADAM TECH 909 Rahway Avenue, Union, NJ 07083 Phone: 908-687-5000 Fax: 908-687-5710	
.X ± .10	∅.X ± .10		
.XX ± .020	∅.XX ± .015	TITLE RCA JACK, 6 PORTS, 2 X 3	
.XXX ± .015	∅.XXX ± .010	REV. -	
APPROVALS		SIZE X	PART NO. RCA-26A-4-W/R
DRAWN AY	DATE 1/22/16	REF: S00095T	SCALE: NTS
CHECKED CH	DATE 1/22/16	SHEET 1 OF 1	
APPROVED			

6

5

4

3

2

1