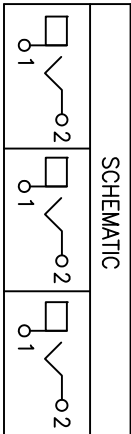
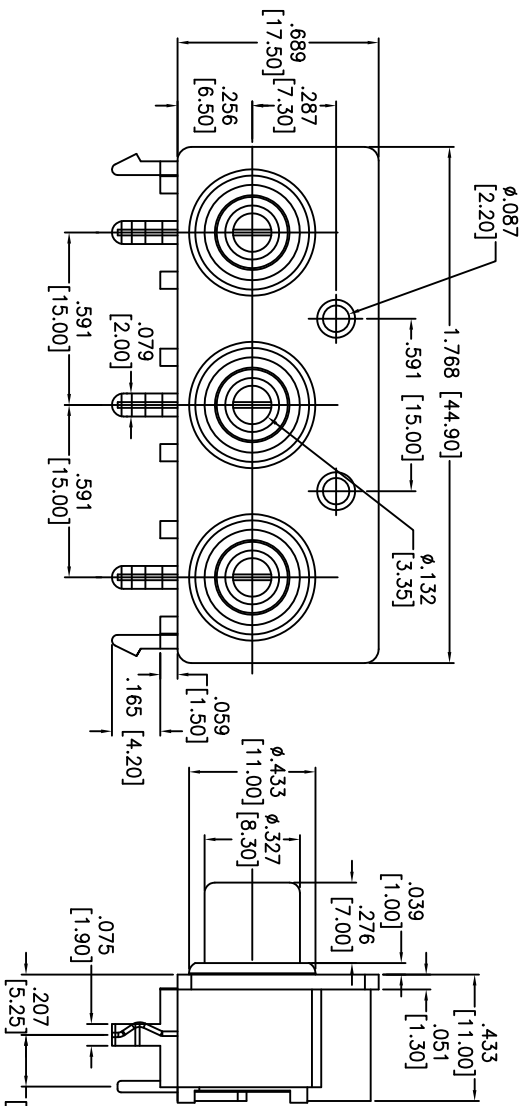


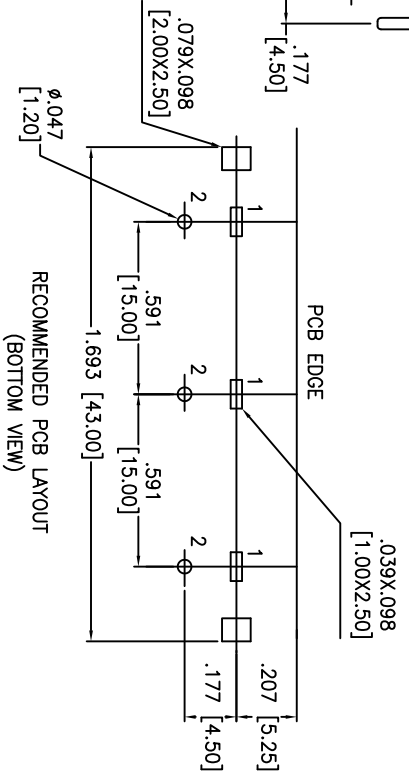
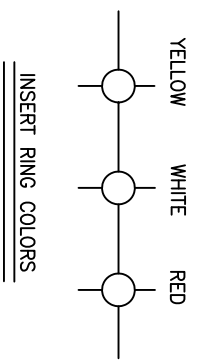
APPROVED: \_\_\_\_\_  
 DATE: \_\_\_\_\_ TITLE: \_\_\_\_\_

| Rev | AWO # | Description   | Date     | Appr |
|-----|-------|---------------|----------|------|
| -   |       | RELEASED      | 11/01/10 |      |
| A   |       | REVISED SPEC. | 7/4/13   |      |



**SPECIFICATIONS:**

- Material: Insulator: ABS, color Black
- Jack Housing: PBT, Glass reinforced, color Yellow, White, Red
- Barrel: Brass, Nickel plated
- Terminal: Brass, Tin plated
- Electrical: Rated Voltage & Current: DC12V, 2A Max; AC100V, 1A Max.
- Contact resistance: 30 mohms max.
- Insulation resistance: 100 Mohms min
- Dielectric withstanding voltage: 500 VAC for 1 minute
- Environmental: Lead free, RoHS compliant.



**ADAM TECH**

909 Rahway Avenue, Union, NJ 07083  
 Phone: 908-687-5000 Fax: 908-687-5710

RCA JACK, 3 PORTS, GANGED, RIGHT ANGLE

| UNLESS OTHERWISE SPECIFIED ALL DIMENSIONS ARE INCHES [MM] TOLERANCES: EXCEPT AS NOTED INCHES |              | HOLE SIZES                             |            | DATE |  |
|--|--------------|--|------------|------|--|
| .X   | $\pm .10$    | $\phi X$                               | $\pm .10$  | DATE |  |
| .XX  | $\pm .020$   | $\phi XX$                              | $\pm .015$ | DATE |  |
| .XXX   | $\pm .015$   | $\phi XXX$                             | $\pm .010$ | DATE |  |
| APPROVALS:   |              |  |            |      |  |
| DRAWN  | DY           | 11/01/10                               |            |      |  |
| CHECKED  |              |  |            |      |  |
| APPROVED   |              |  |            |      |  |
| SIZE   | PART NO.     | TITLE                                  |            | REV. |  |
| X  | RCA-28-Y/W/R | RCA JACK, 3 PORTS, GANGED, RIGHT ANGLE |            | A    |  |
| REF: S00095T   | SCALE: NTS   | SHEET                                  | 1 OF 1     |      |  |