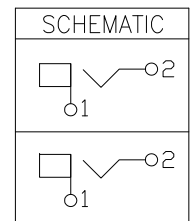
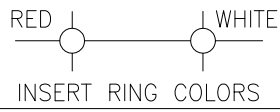
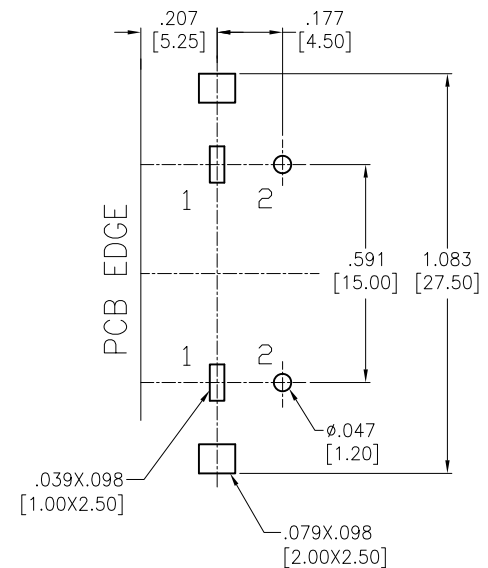
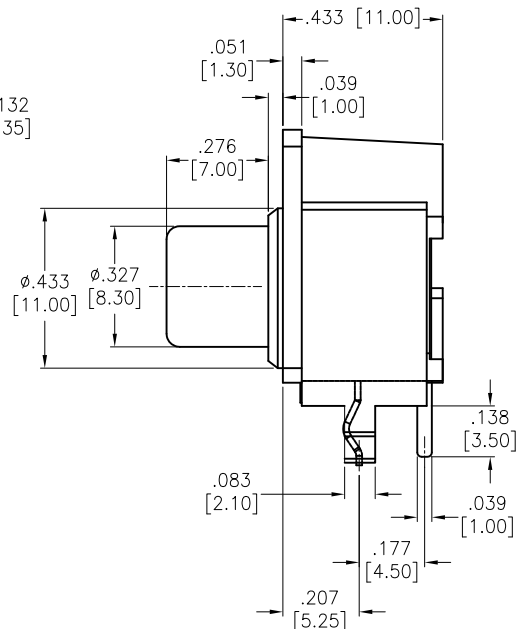
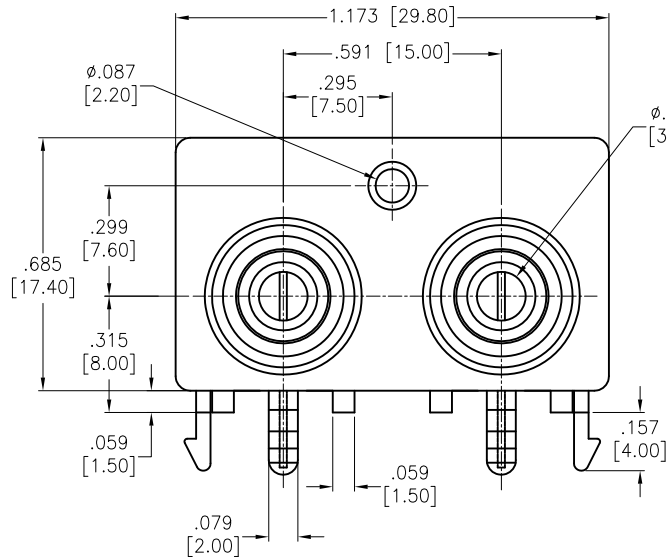


APPROVED: \_\_\_\_\_  
 DATE: \_\_\_\_\_ TITLE: \_\_\_\_\_

Rev	AWO #	Description	Date	Appr
-		RELEASED	12/28/16	



**SPECIFICATIONS:**

Material:  
 Insulator: ABS, color Black  
 Jack Housing: PBT, Glass reinforced, Color: Red, White  
 Barrel: Brass, Nickel plated  
 Terminal: Brass, Tin plated  
 Electrical:  
 Rated Voltage & Current: DC 12V, 2A Max; AC 100V, 1A Max.  
 Contact resistance: 30 mohms max.  
 Insulation resistance: 100 Mohms min @ 500 VDC  
 Dielectric withstanding voltage: 500 VAC for 1 minute  
 Environmental:  
 Lead free, RoHS compliant.



UNLESS OTHERWISE SPECIFIED  
 ALL DIMENSIONS ARE INCHES [MM]  
 TOLERANCES: EXCEPT AS NOTED  
 INCHES      HOLES  
 .X    ± .10     $\phi$ .X    ± .10  
 .XX   ± .020    $\phi$ .XX   ± .015  
 .XXX ± .015    $\phi$ .XXX   ± .010

**ADAM TECH**

909 Rahway Avenue, Union, NJ 07083  
 Phone: 908-687-5000 Fax: 908-687-5710

APPROVALS		DATE
DRAWN	AY	12/28/16
CHECKED	MC	12/28/16
APPROVED		

TITLE		
RCA JACK, 2 PORTS, RIGHT ANGLE, RED/WHITE		
SIZE	PART NO.	REV.
X	RCA-28B-1-R/W	-
REF: S00095T	SCALE: NTS	SHEET 1 OF 1