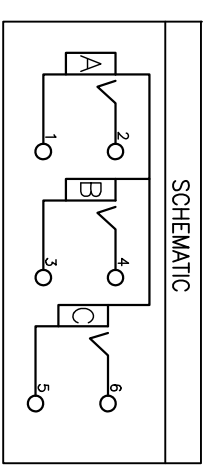
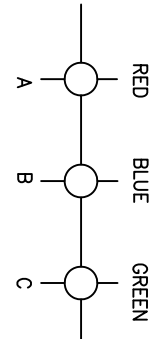
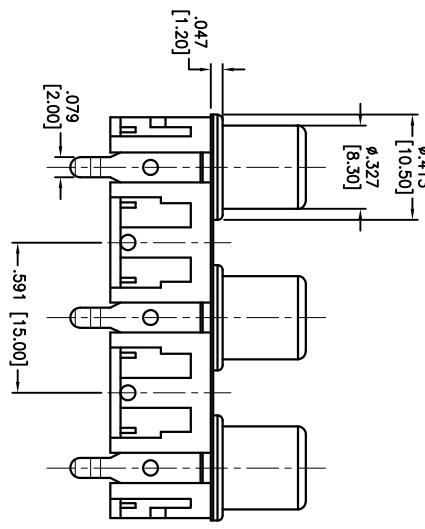
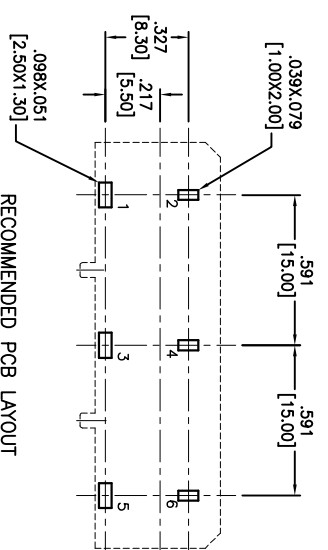
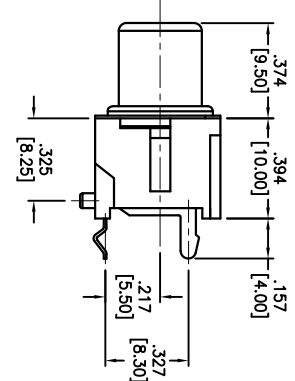
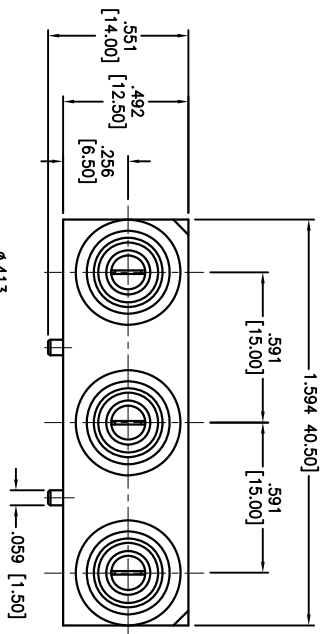


Rev	AWO #	Description	Date	Appr
-		RELEASED	5/6/11	

APPROVED: _____ TITLE: _____
 DATE: _____



SPECIFICATIONS:

- Material: _____
- Housing: ABS 94HB, color Black
- Washer: ABS 94HB, color Red, Blue, Green
- Shield: Brass, Tin plated
- Terminal: Brass, Tin plated
- Electrical: _____
- Rated Voltage: 40V/50V(AC/DC)
- Rated Current: AC 0.5A
- Environmental: _____
- Lead free, RoHS compliant.
- Recommended soldering temp: 235°C for 5 sec.
- Packaging: _____
- Anti-ESD plastic bags

UNLESS OTHERWISE SPECIFIED
 ALL DIMENSIONS ARE IN INCHES [MM]
 TOLERANCES: EXCEPT AS NOTED
 INCHES Holes
 .X ± .10 ØX ± .10
 .XX ± .020 ØXX ± .015
 .XXX ± .015 ØXXX ± .010

ADAM TECH
 909 Railway Avenue, Union, NJ 07083
 Phone: 908-687-5000 Fax: 908-687-5710

DRAWN	AY	5/6/11	SIZE	PART NO.	REV.
CHECKED			X	RCA-29-1-R/B/G	
APPROVED			REF: S00094C	SCALE: NTS	SHEET 1 OF 1

