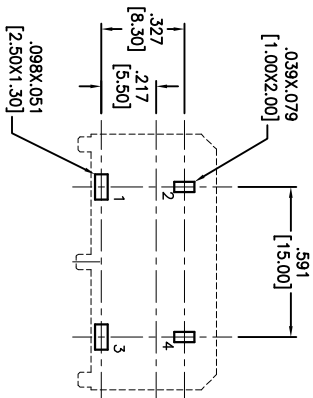
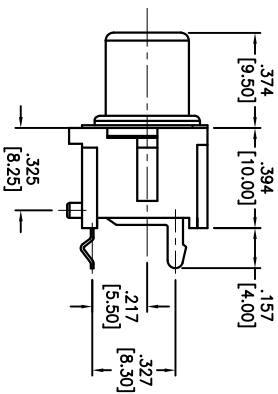
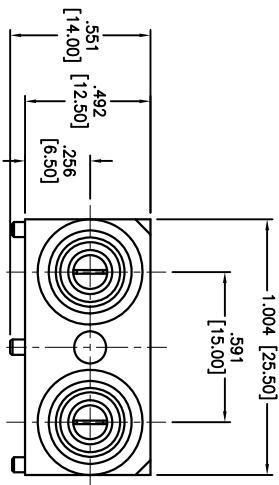
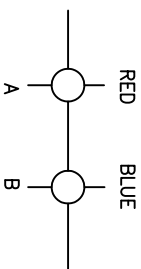
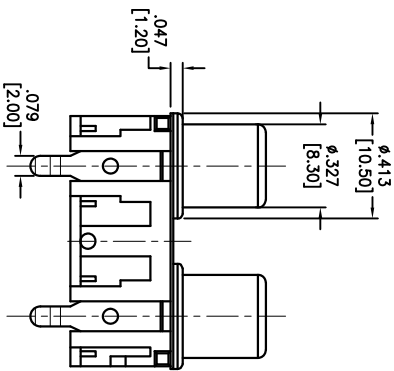


Rev	AWO #	Description	Date	Appr
-		RELEASED	5/6/11	

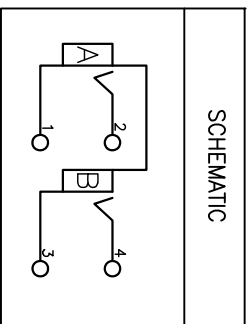
APPROVED: _____ TITLE: _____
 DATE: _____



RECOMMENDED PCB LAYOUT



INSERT WASHER COLORS



SCHEMATIC

SPECIFICATIONS:
 Material:
 Housing: ABS 94HB, color Black
 Washer: ABS 94HB, color Red, Blue, Green
 Shield: Brass, Tin plated
 Terminal: Brass, Tin plated
 Electrical:
 Rated Voltage: 40V/50V(AC/DC)
 Rated Current: AC 0.5A
 Environmental:
 Lead free, RoHS compliant.
 Recommended soldering temp: 235°C for 5 sec.
 Packaging:
 Anti-ESD plastic bags

UNLESS OTHERWISE SPECIFIED
 ALL DIMENSIONS ARE INCHES [MM]
 TOLERANCES: EXCEPT AS NOTED

INCHES	HOLES
.X ± .10	Ø.X ± .10
.XX ± .020	Ø.XX ± .015
.XXX ± .015	Ø.XXX ± .010

APPROVALS

DATE
AY

ADAM TECH
 909 Rahway Avenue, Union, NJ 07083
 Phone: 908-687-5000 Fax: 908-687-5710

RCA JACK, 2 PORTS, RED / WHITE

SIZE	PART NO.	REV.
X	RCA-29-1-RW	-

REF: S00094C SCALE: NTS SHEET 1 OF 1

