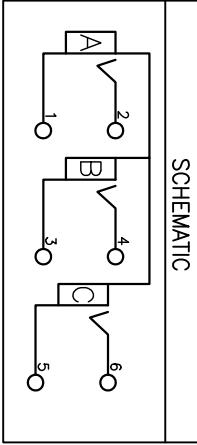
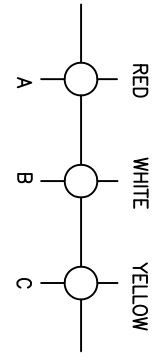
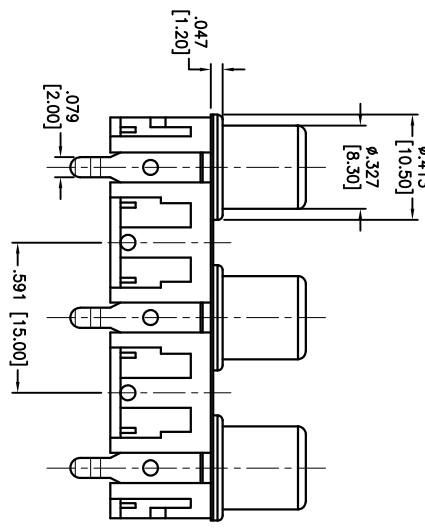
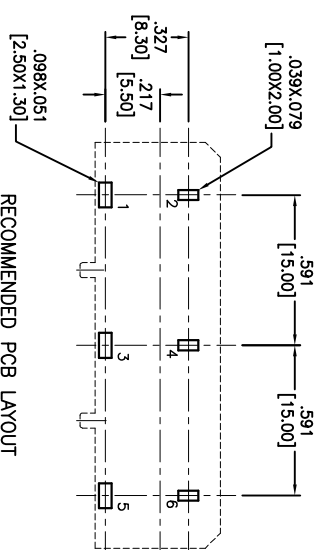
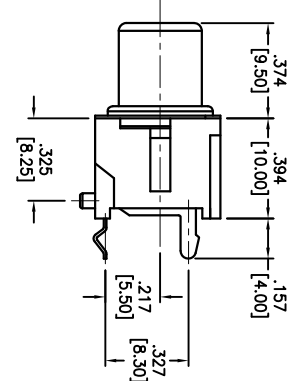
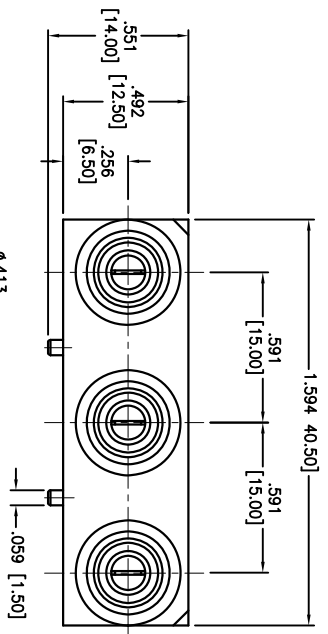


| Rev | AWO # | Description | Date | Appr |
|-----|-------|-------------|--------|------|
| - | | RELEASED | 5/6/11 | |

APPROVED: _____ TITLE: _____
 DATE: _____



SPECIFICATIONS:
 Material:
 Housing: ABS 94HB, color Black
 Washer: ABS 94HB, color Red, Blue, Green
 Shield: Brass, Tin plated
 Terminal: Brass, Tin plated
 Electrical:
 Rated Voltage: 40V/50V(AC/DC)
 Rated Current: AC 0.5A
 Environmental:
 Lead free, RoHS compliant.
 Recommended soldering temp: 235°C for 5 sec.
 Packaging:
 Anti-ESD plastic bags

UNLESS OTHERWISE SPECIFIED
 ALL DIMENSIONS ARE INCHES [MM]
 TOLERANCES: EXCEPT AS NOTED
 INCHES HOLEES
 .X ± .10 ØXX ± .10
 .XX ± .020 ØXXX ± .015
 .XXX ± .015 ØXXXX ± .010
 APPROVALS DATE

ADAM TECH
 909 Railway Avenue, Union, NJ 07083
 Phone: 908-687-5000 Fax: 908-687-5710
RCA JACK, 3 PORTS, RED / WHITE / YELLOW

| | | | | | |
|----------|----|--------|--------------|---------------|--------------|
| DRAWN | AY | 5/6/11 | SIZE | PART NO. | REV. |
| CHECKED | | | X | RCA-29-1-RWVY | |
| APPROVED | | | REF: S00094C | SCALE: NTS | SHEET 1 OF 1 |