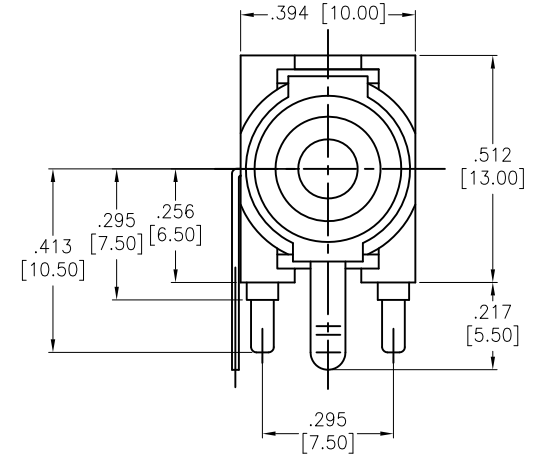
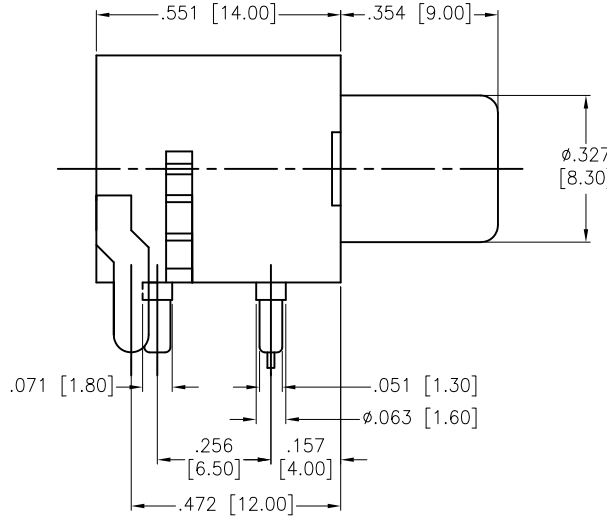
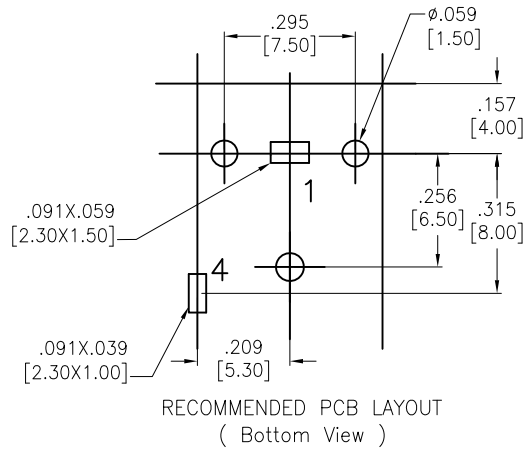


APPROVED: _____
 DATE: _____ TITLE: _____

Rev	AWO #	Description	Date	Appr
-	13453	RELEASED	2/24/14	
A	13453	REVISED SHAPE & DIM.	3/6/14	AY/SY
B		UPDATE DRAWING	6/17/16	AY/AT
C		ADDED SPEC.	7/6/16	AY/AT

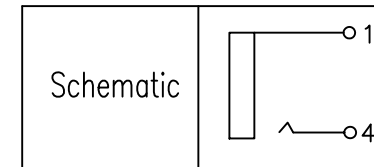


SPECIFICATIONS:

Material:
 Insulator: PBT, rated UL 94V-0
 Insulator colors available: See P/N chart
 Contacts: Brass

Plating:
 Tin over Copper underplate overall

Electrical:
 Rated voltage: 12 VDC
 Rated current: 1A
 Contact resistance: 30 mohms max
 Insulation resistance: 100 Mohms min
 Dielectric withstanding voltage: 500 VAC for 1 minut
 Temperature Rating:
 Operating temperature: -25°C to +60°C
 Environmental:
 Lead free, RoHS compliant.



COLOR	P/N:
GREEN	RCA-2A-1-G
BLUE	RCA-2A-1-BL
RED	RCA-2A-1-R
WHITE	RCA-2A-1-W
BLACK	RCA-2A-1-B
YELLOW	RCA-2A-1-Y

UNLESS OTHERWISE SPECIFIED ALL DIMENSIONS ARE INCHES [MM] TOLERANCES: EXCEPT AS NOTED		ADAM TECH 909 Rahway Avenue, Union, NJ 07083 Phone: 908-687-5000 Fax: 908-687-5710		
INCHES HOLES				
.X ± .10	∅X ± .10	TITLE RCA JACK, RIGHT ANGLE, 1 PORT PCB MOUNT		
.XX ± .020	∅XX ± .015			
.XXX ± .015	∅XXX ± .010	REV. C		
APPROVALS		DATE	REF: S00167T	
DRAWN AY		2/24/14	SCALE: NTS	SHEET 1 OF 1
CHECKED SY		2/24/14	PART NO. RCA-2A-1-X	
APPROVED			SIZE X	