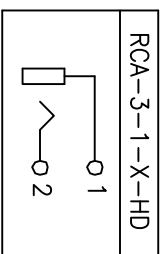
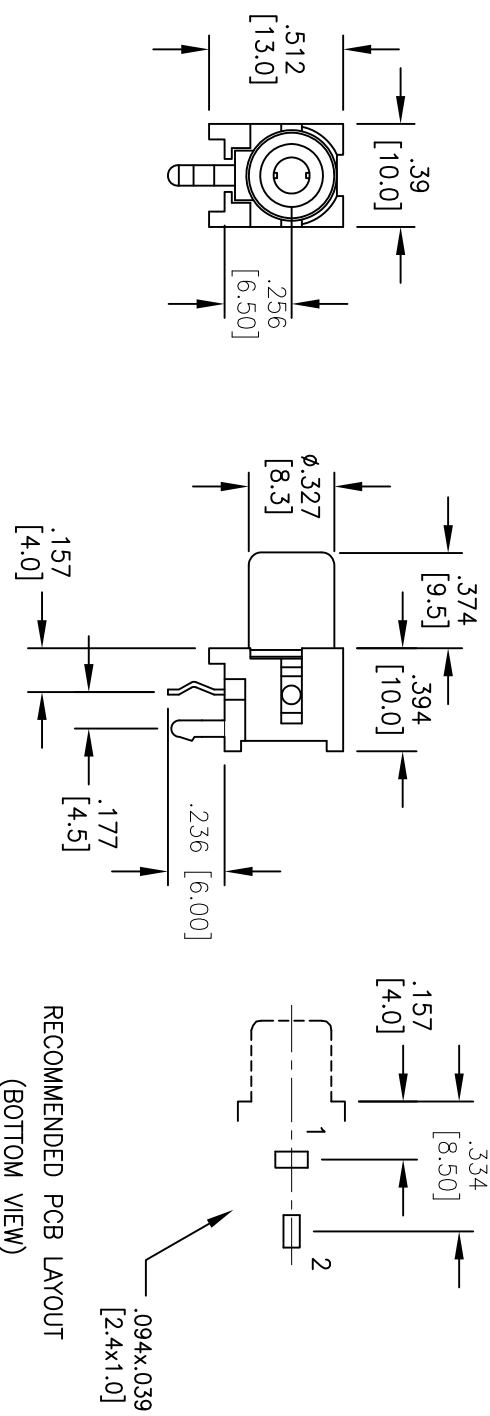


Rev	AWO #	Description	Date	Appr
-	7608	RELEASED	4/27/07	

APPROVED: _____ TITLE: _____
 DATE: _____



COLOR	P/N:
RED	RCA-3-1-R-G
WHITE	RCA-3-1-W-G
BLACK	RCA-3-1-B-G
YELLOW	RCA-3-1-Y-G

SPECIFICATIONS:

Material:
 Insulator: PBT, glass reinforced thermoplastic, rated UL 94V-0
 Insulator colors available: Red, White, Black & Yellow
Bushing: Brass, Nickel plated
Contacts: Brass
Plating:
 Gold over Copper underplate.

Electrical:
 Operation voltage: 12V DC max.
 Current rating: 1 Amp max
 Contact resistance: 30 mohms max.
 Insulation resistance: 100 Mohms min
 Dielectric withstanding voltage: 500 VAC for 1 minute

Environmental:
 Temperature rating:
 Operating temperature: -25°C to +80°C
 Lead free, RoHS compliant.
 Recommended soldering temp: 235°C for 5 sec.



UNLESS OTHERWISE SPECIFIED
 ALL DIMENSIONS ARE INCHES [MM]
 TOLERANCES: EXCEPT AS NOTED
 INCHES HOLES
 .XX ± .10 ØXX ± .015
 .XX ± .020 ØXX ± .015
 .XXX ± .015 ØXXX ± .010

ADAM TECH
 909 Rahway Avenue, Union, NJ 07083
 Phone: 908-687-5000 Fax: 908-687-5710

APPROVALS	DATE	TITLE	SIZE	PART NO.	SCALE	SHEET	OF
DRAWN	BW	4/27/07	X	RCA-3-1-X-G	NTS	1	1
CHECKED							
APPROVED							