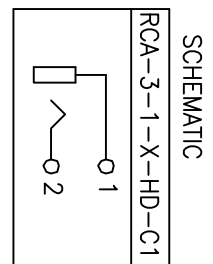
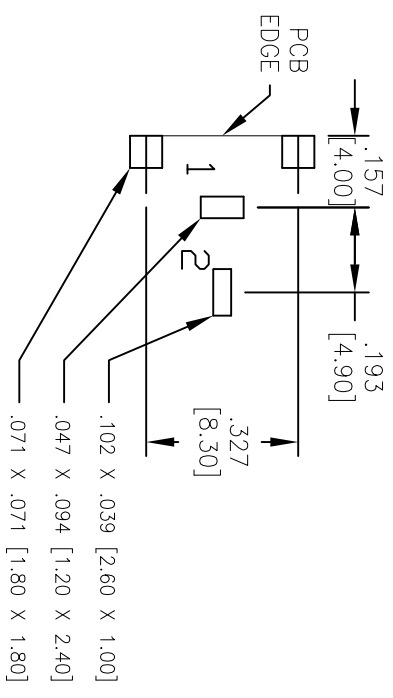
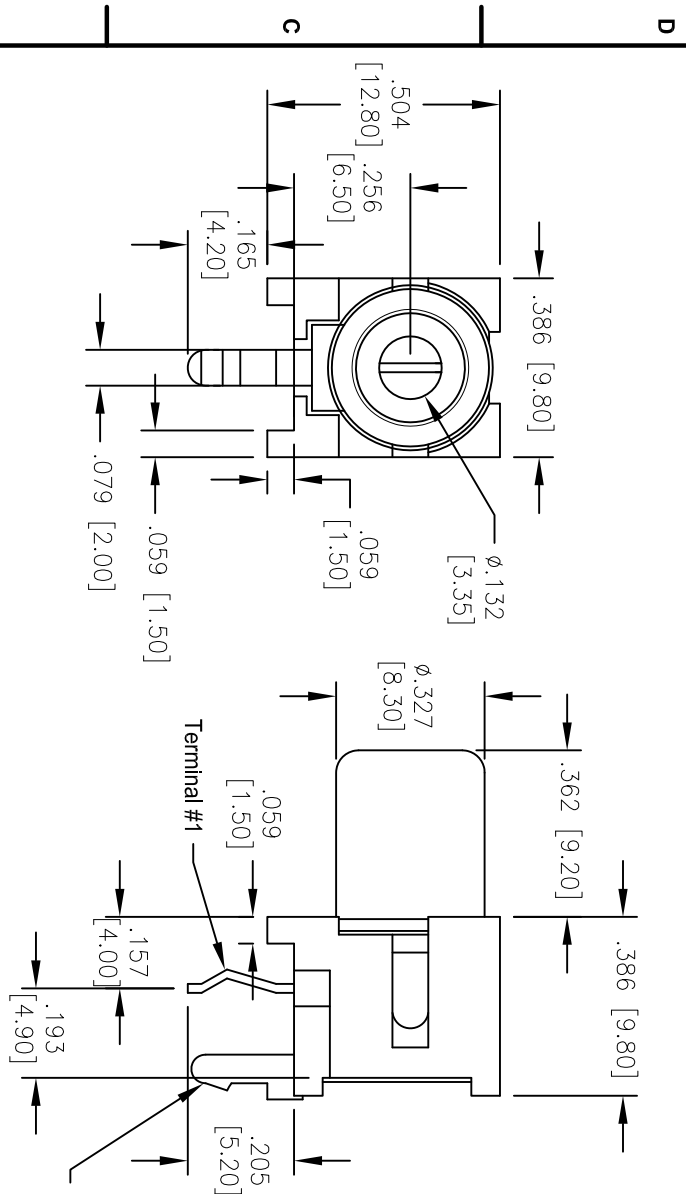


APPROVED: \_\_\_\_\_ TITLE: \_\_\_\_\_  
 DATE: \_\_\_\_\_

Rev	AWO #	Description	Date	Appr
-		RELEASED	1/24/11	
A		REVISED PLATING THICKNESS	9/27/11	



COLOR	P/N:
RED	RCA-3-1-R-HD-C1
WHITE	RCA-3-1-W-HD-C1
BLACK	RCA-3-1-B-HD-C1
YELLOW	RCA-3-1-Y-HD-C1

**SPECIFICATIONS:**

**Material:** Insulator: PBT, glass reinforced thermoplastic, rated UL 94V-0

**Insulator colors:** Red, White, Black & Yellow

**Bushing:** Brass, Nickel plated

**Contacts:** Brass

**Plating:**

**Terminal #1**

80u"~120u" Nickel over 50u" Cu underplate.

**Terminal #2**

120~200u" Matt Tin, 50u" Nickel over 50u" Cu.

**Electrical:**

**Operation voltage:** 12V DC max.

**Current rating:** 2 Amp max

**Contact resistance:** 30 mohms max.

**Insulation resistance:** 100 Mohms min

**Dielectric withstanding voltage:** 500 VAC for 1 minute

**Environmental:**

**Temperature rating:**

**Operating temperature:** -25°C to +80°C

**Lead free, RoHS compliant.**

**Recommended soldering temp:** 235°C for 5 sec.

UNLESS OTHERWISE SPECIFIED  
 ALL DIMENSIONS ARE INCHES [MM]  
 TOLERANCES: EXCEPT AS NOTED  
 INCHES HOLES  
 .XX ± .10 ØXX ± .10  
 .XX ± .020 ØXX ± .015  
 .XXX ± .015 ØXXX ± .010

APPROVALS	DATE
DRAWN AY	1/24/11
CHECKED AH	1/24/11
APPROVED	

**ADAM TECH**  
 909 Railway Avenue, Union, NJ 07083  
 Phone: 908-687-5000 Fax: 908-687-5710

RCA JACK, RIGHT ANGLE, PCB MOUNT

SIZE	PART NO.	REV.
X	RCA-3-1-X-HD-C1	A

REF: S00095T SCALE: NTS SHEET 1 OF 1