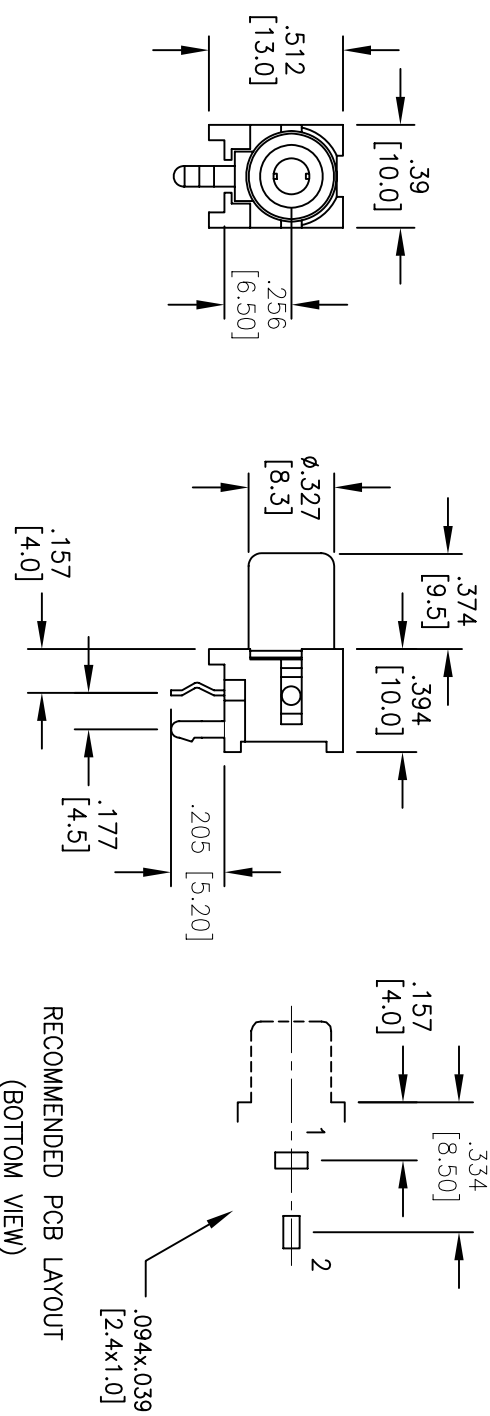
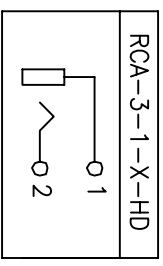


Rev	AWO #	Description	Date	Appr
-	7608	RELEASED	6/28/07	

APPROVED: _____ TITLE: _____
 DATE: _____



RECOMMENDED PCB LAYOUT
(BOTTOM VIEW)



COLOR	P/N:
RED	RCA-3-1-R-HD
WHITE	RCA-3-1-W-HD
BLACK	RCA-3-1-B-HD
YELLOW	RCA-3-1-Y-HD

PACKAGED ON TAPE & REEL

SPECIFICATIONS:

Material:
 Insulator: PBT, glass reinforced thermoplastic, rated UL 94V-0
 Insulator colors: Red, White, Black & Yellow
 Bushing: Brass, Nickel plated
 Contacts: Brass

Plating:
 Tin or Silver over Copper underplate.

Electrical:
 Operation voltage: 12V DC max.
 Current rating: 1 Amp max
 Contact resistance: 30 mohms max.
 Insulation resistance: 100 Mohms min
 Dielectric withstanding voltage: 500 VAC for 1 minute
 Mating Cycles: 10,000 cycles

Environmental:
 Temperature rating:
 Operating temperature: -25°C to +80°C
 Lead free, RoHS compliant.
 Recommended soldering temp: 235°C for 5 sec.



ADAM TECH

909 Rahway Avenue, Union, NJ 07083
 Phone: 908-687-5000 Fax: 908-687-5710

RCA JACK, RIGHT ANGLE,
 PCB MOUNT, TAPE & REEL

UNLESS OTHERWISE SPECIFIED ALL DIMENSIONS ARE INCHES [MM] TOLERANCES: EXCEPT AS NOTED		TITLE	
INCHES	±.10	ØXX	±.015
INCHES	±.020	ØXXX	±.010
.XXX	±.015	ØXXX	±.010
APPROVALS		DATE	
DRAWN	SS	6/28/07	
CHECKED			
APPROVED			
SIZE	PART NO.	TITLE	
X	RCA-3-1-X-HD-T/R	RCA JACK, RIGHT ANGLE, PCB MOUNT, TAPE & REEL	
REF:	SCALE: NTS	SHEET 1 OF 1	