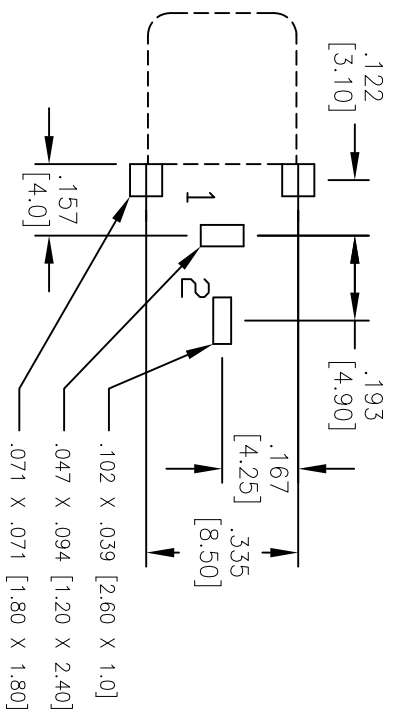
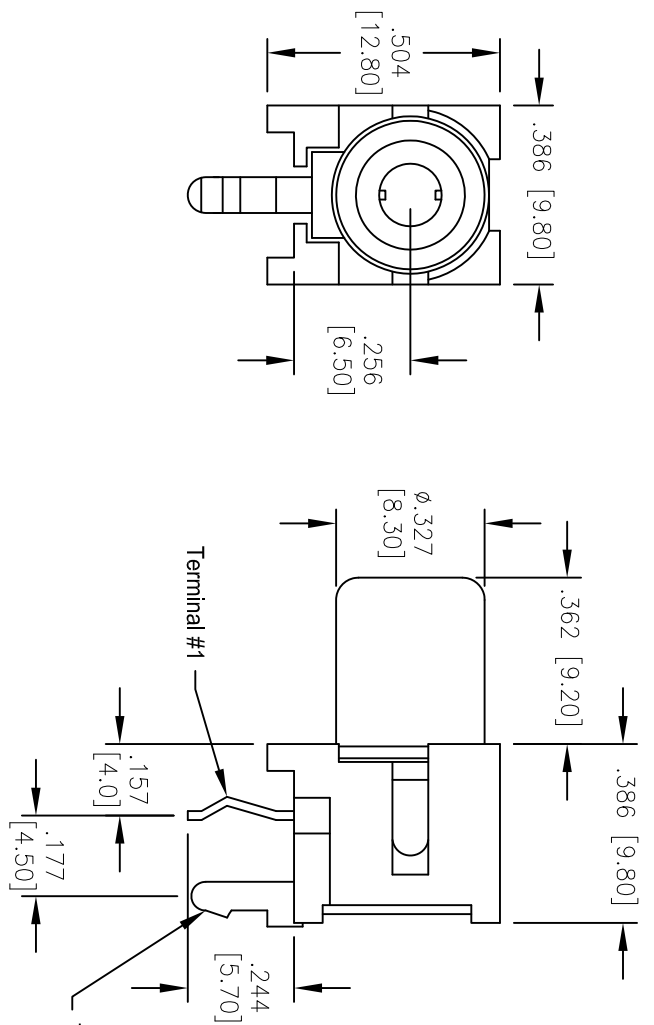
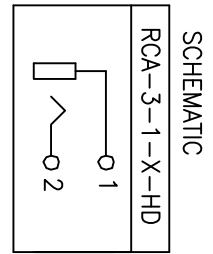


APPROVED: _____
 DATE: _____ TITLE: _____

| Rev | AWO # | Description | Date | Appr |
|-----|-------|-------------------------|---------|------|
| - | 7608 | RELEASED | 4/27/07 | |
| A | 7608 | REVISED | 5/23/07 | |
| B | 7608 | .205 DIM WAS .236 | 5/29/07 | |
| C | 7608 | REDRAWN | 12/3/07 | |
| D | 7608 | ADDED PLATING THICKNESS | 1/20/11 | |
| E | 7608 | ADDED PLATING | 9/23/11 | |



RECOMMENDED PCB LAYOUT
 (BOTTOM VIEW)



| COLOR | P/N: |
|--------|--------------|
| RED | RCA-3-1-R-HD |
| WHITE | RCA-3-1-W-HD |
| BLACK | RCA-3-1-B-HD |
| YELLOW | RCA-3-1-Y-HD |

SPECIFICATIONS:

Material:
 Insulator: PBI, glass reinforced thermoplastic, rated UL 94V-0

Insulator colors: Red, White, Black & Yellow

Bushing: Brass, Nickel plated

Contacts: Brass

Plating:

Terminal #1
 80u"~120u" Nickel over 80u" Cu underplate.

Terminal #2
 120~200u" Shiny Tin, 50u" Nickel over 50u" Cu.

Electrical:

Operation voltage: 12V DC max.

Current resistance: 1 Amp max

Contact resistance: 30 mohms max.

Insulation resistance: 100 Mohms min

Dielectric withstanding voltage: 500 VAC for 1 minute

Mating Cycles: 10,000 cycles

Temperature rating:

Operating temperature: -25°C to +80°C

Lead free, RoHS compliant.
 Recommended soldering temp: 235°C for 5 sec.



UNLESS OTHERWISE SPECIFIED
 ALL DIMENSIONS ARE INCHES [MM]
 TOLERANCES: EXCEPT AS NOTED
 INCHES: .10 .020 .015
 .XX ± .10 ØXX ± .015
 .XXX ± .015 ØXXX ± .015

ADAM TECH
 909 Rahway Avenue, Union, NJ 07083
 Phone: 908-687-5000 Fax: 908-687-5710

| APPROVALS | DATE |
|-----------|------|
| DRAWN | BW |
| CHECKED | |
| APPROVED | |

| TITLE | SIZE | PART NO. | REV. |
|-------------------------------------|------------|--------------|------|
| RCA JACK, RIGHT ANGLE, PCB MOUNT | X | RCA-3-1-X-HD | E |
| REF: S00051 | SCALE: NTS | SHEET 1 OF 1 | |