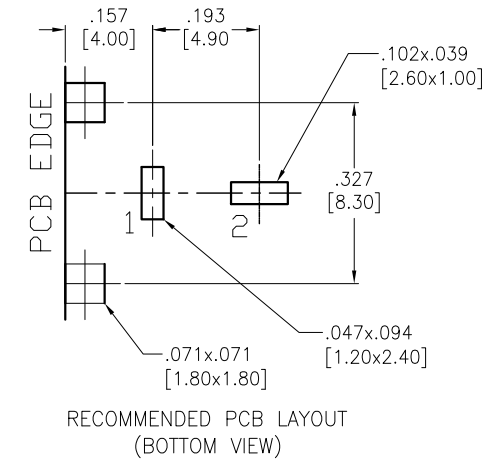
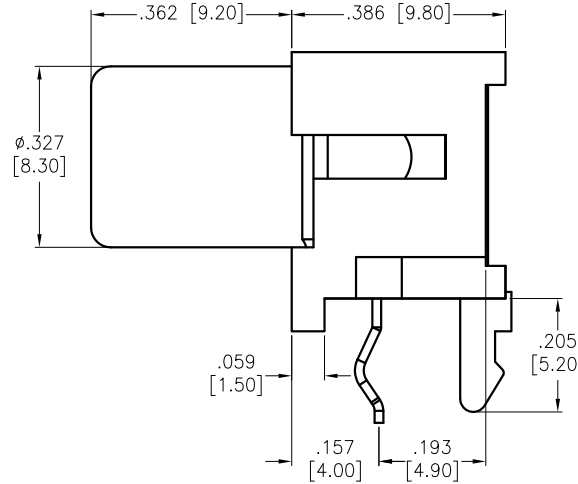
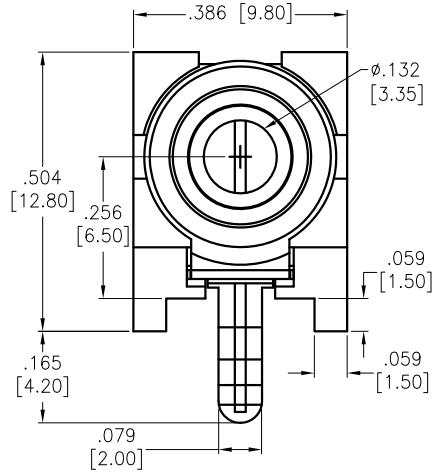


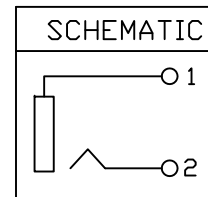
APPROVED: \_\_\_\_\_  
 DATE: \_\_\_\_\_ TITLE: \_\_\_\_\_

Rev	AWO #	Description	Date	Appr
-	7608	RELEASED	4/27/07	
A	7608	ADDED P/N	1/11/11	
B		ADDED DIM.	6/13/11	
C		REDRAWN	7/7/16	AY/LL



**SPECIFICATIONS:**

Material:  
 Insulator: PBT, glass reinforced, rated UL 94V-0  
 Insulator colors: Red, White, Black, Orange & Yellow  
 Contacts: Brass  
 Barrel: Brass, Nickel plated  
 Plating:  
 Tin over Copper underplate.  
 Electrical:  
 Rated Voltage And Current: DC 12V, 2A max  
 Contact resistance: 30 mohms max  
 Insulation resistance: 100 Mohms min  
 Dielectric withstanding voltage: 500 VAC for 1 minute  
 Temperature rating:  
 Operating temperature: -25°C to +70°C  
 Environmental:  
 Lead free, RoHS compliant.



Insulator Colors	ADAM P/N
RED	RCA-3-1-R
WHITE	RCA-3-1-W
BLACK	RCA-3-1-B
YELLOW	RCA-3-1-Y
ORANGE	RCA-3-1-O

UNLESS OTHERWISE SPECIFIED  
 ALL DIMENSIONS ARE INCHES [MM]  
 TOLERANCES: EXCEPT AS NOTED

INCHES		HOLES	
.X	± .10	∅X	± .10
.XX	± .020	∅XX	± .015
.XXX	± .015	∅XXX	± .010

**ADAM TECH**

909 Rahway Avenue, Union, NJ 07083  
 Phone: 908-687-5000 Fax: 908-687-5710

APPROVALS		DATE
DRAWN	BW	4/27/07
CHECKED		
APPROVED		

TITLE		
RCA JACK, RIGHT ANGLE, PCB MOUNT		
SIZE	PART NO.	REV.
X	RCA-3-1-X	C
REF: S00002C	SCALE: NTS	SHEET 1 OF 1