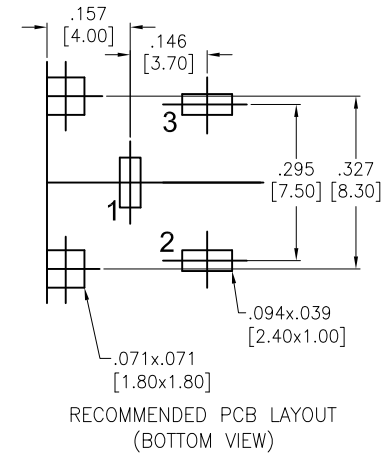
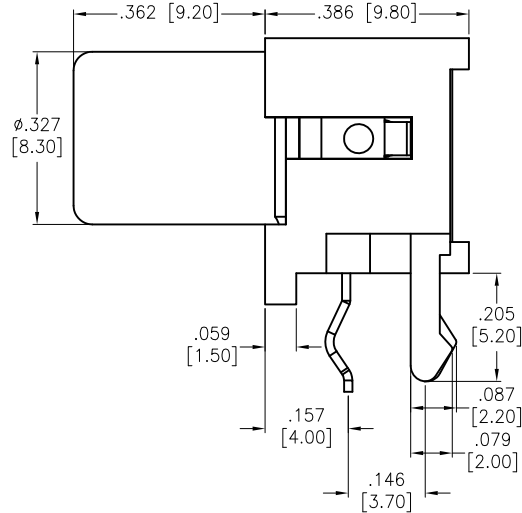
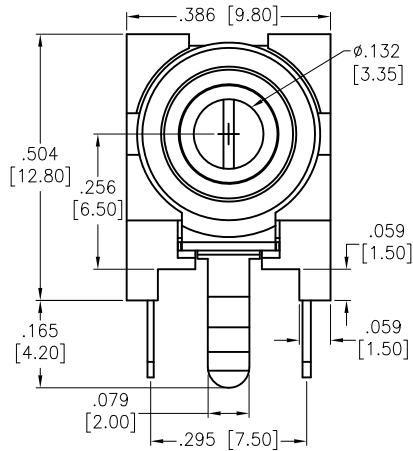


APPROVED: _____
 DATE: _____ TITLE: _____

Rev	AWO #	Description	Date	Appr
-		RELEASED	8/6/04	
A		ADDED ORANGE COLOR	7/4/12	
B		REDRAWN	01/31/13	

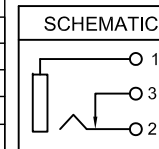


SPECIFICATIONS:

Material:
 Insulator: PBT, glass reinforced, rated UL 94V-0
 Insulator colors: Red, White, Black, Orange & Yellow
 Contacts: Brass
 Barrel: Brass, Nickel plated
 Spring Terminal: Phosphor Bronze, Tin plated
 Plating:
 Tin over Copper underplate.
 Electrical:
 Rated Voltage And Current: DC 12V, 2A max
 Contact resistance: 30 mohms max
 Insulation resistance: 100 Mohms min
 Dielectric withstanding voltage: 500 VAC for 1 minute
 Temperature rating:
 Operating temperature: -25°C to +70°C
 Environmental:
 Lead free, RoHS compliant.



Insulator Colors	ADAM P/N
RED	RCA-3-2-R
WHITE	RCA-3-2-W
BLACK	RCA-3-2-B
YELLOW	RCA-3-2-Y
ORANGE	RCA-3-2-O



UNLESS OTHERWISE SPECIFIED
 ALL DIMENSIONS ARE INCHES [MM]
 TOLERANCES, EXCEPT AS NOTED

INCHES		HOLES	
.X	± .10	ØX	± .10
.XX	± .020	ØXX	± .015
.XXX	± .015	ØXXX	± .010

APPROVALS		DATE
DRAWN	SS	8/6/04
CHECKED		
APPROVED		

ADAM TECH
 909 Rahway Avenue, Union, NJ 07083
 Phone: 908-687-5000 Fax: 908-687-5710

TITLE: **RCA JACK, RIGHT ANGLE,
PCB MOUNT**

SIZE	PART NO.	REV.
X	RCA-3-2-X	B

REF: S00095T SCALE: NTS SHEET 1 OF 1