

Rev	AWO #	Description	Date	Appr
-		RELEASED	01/11/13	

6

5

4

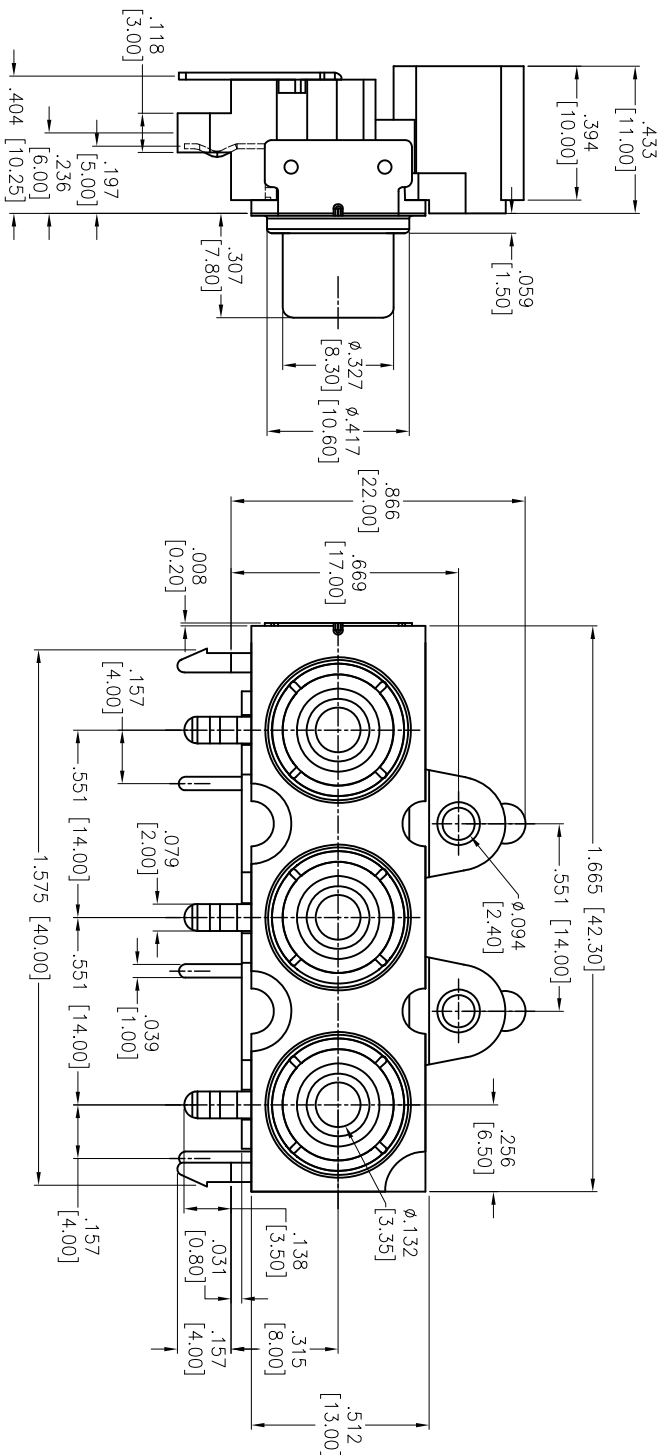
3

2

1

APPROVED: _____

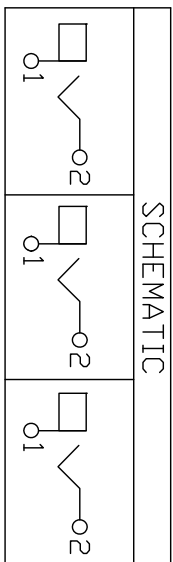
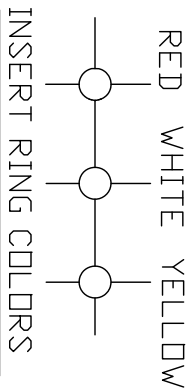
DATE: _____ TITLE: _____



D

C

B



SPECIFICATIONS:

Material:

Insulator: ABS, rated UL 94V-0

Insulator colors: White

Cover: ABS, Black

Insert Ring: PBT, Glass reinforced, Color: Red/White/Yellow

Terminal: Brass, Tin plated

Barrel: Brass, Nickel plated

Shell Cover: Brass, Nickel plated

Electrical:

Current rating: 2 Amps @ 12VDC

1 Amps @ 100VAC

Contact resistance: 30 mohms max.

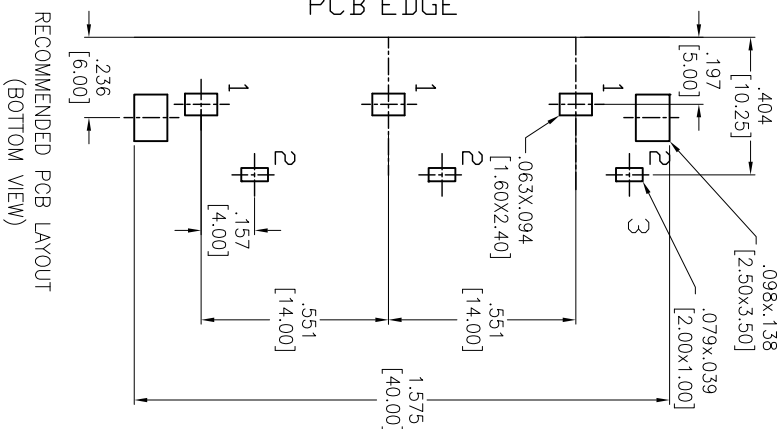
Dielectric withstanding voltage: 500 VAC for 1 minute

Environmental:

Lead free, RoHS compliant.

ADAM TECH909 Rahway Avenue, Union, NJ 07083
Phone: 908-687-5000 Fax: 908-687-5710TITLE
RCA JACK, VERTICAL, PCB, SHELL
RED/WHITE/YELLOW

UNLESS OTHERWISE SPECIFIED ALL DIMENSIONS ARE INCHES [MM] TOLERANCES EXCEPT AS NOTED INCHES		HOLE SIZES	
.X	± .10	ØX	± .10
.XX	± .020	ØXXX	± .015
.XXX	± .015	ØXXXX	± .010
APPROVALS		DATE	
DRAWN	AY	01/11/13	
CHECKED	AL	01/11/13	
APPROVED			



D

C

B

A

A

6

5

4

3

2

1



APPROVED

AL

01/11/13

X

SCALE: NTS

SHEET 1 OF 1

REV.