

Rev	AWO #	Description	Date	Appr
-		RELEASED	01/11/13	

6

5

4

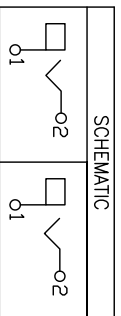
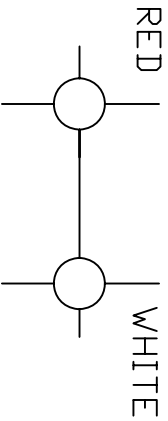
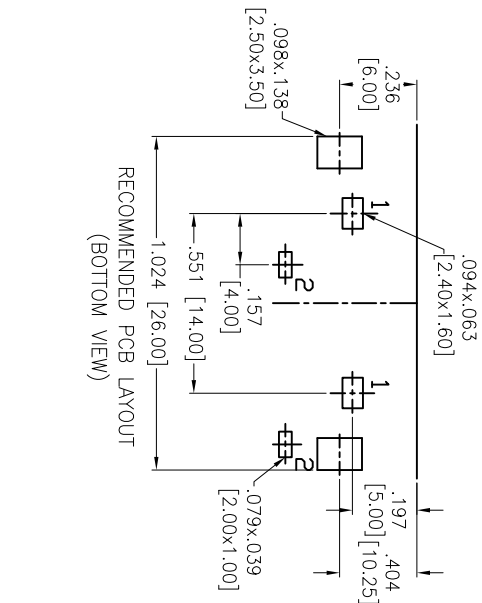
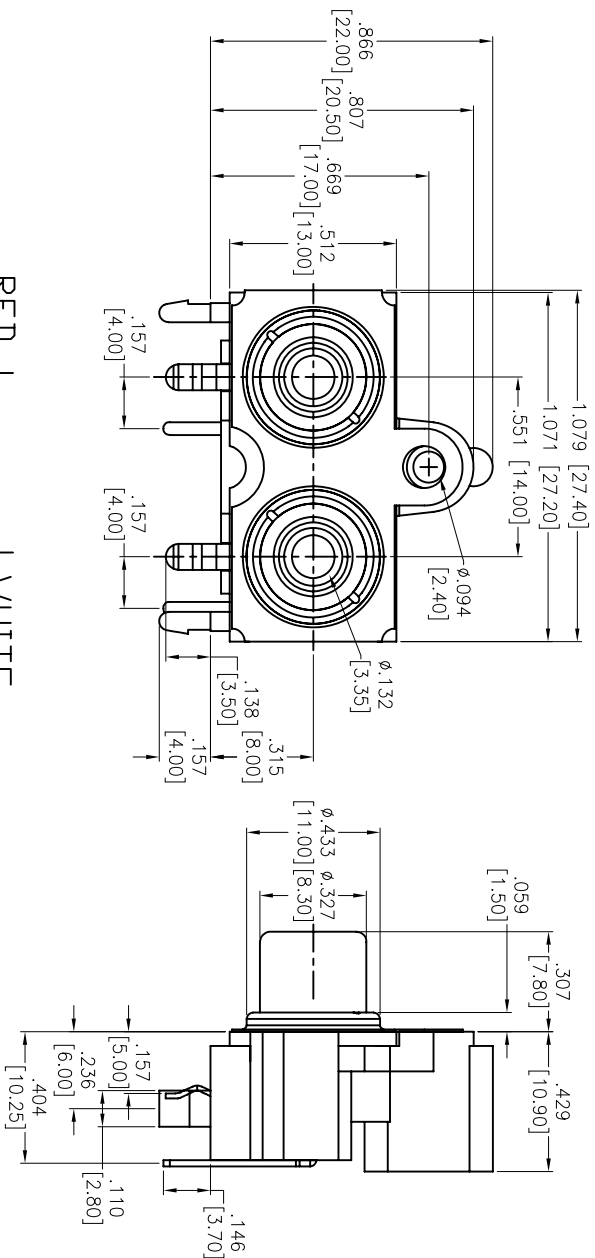
3

2

1

APPROVED: \_\_\_\_\_

DATE: \_\_\_\_\_ TITLE: \_\_\_\_\_



## SPECIFICATIONS:

Material:

Insulator: ABS, rated UL 94V-0

Insulator colors: White

Cover: ABS, Black

Insert Ring: PBT, Glass reinforced, Color: Red/White

Terminal: Brass, Tin plated

Barrel: Brass, Nickel plated

Shell Cover: Brass, Nickel plated

Electrical:

Current rating: 2 Amps @ 12VDC

1 Amps @ 100VAC

Contact resistance: 30 mohms max.

Dielectric withstanding voltage: 500 VAC for 1 minute

Environmental:

Lead free, RoHS compliant.

# ADAM TECH

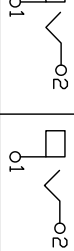
909 Rahway Avenue, Union, NJ 07083  
 Phone: 908-687-5000 Fax: 908-687-5710

TITLE  
 RCA JACK, VERTICAL, PCB, SHELL  
 RED/WHITE

UNLESS OTHERWISE SPECIFIED ALL DIMENSIONS ARE INCHES [MM] TOLERANCES EXCEPT AS NOTED INCHES		HOLE SIZE	
.X	± .10	ØXX	± .10
.XX	± .020	ØXXX	± .015
.XXX	± .015	ØXXXX	± .010
APPROVALS		DATE	
DRAWN	TW		01/11/13
CHECKED	AL		01/11/13
APPROVED			

REF:	SIZE	PART NO.	SCALE:	SHEET 1 OF 1
X	X	RCA-32AS-1-RW	NTS	

SCHEMATIC



A

B

C

D

6

5

4

3

2

1

