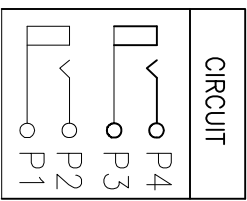
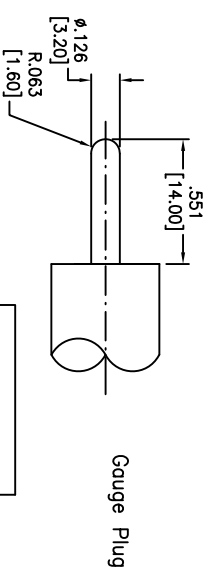
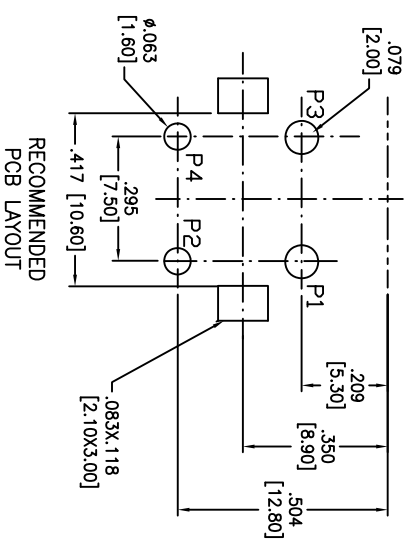
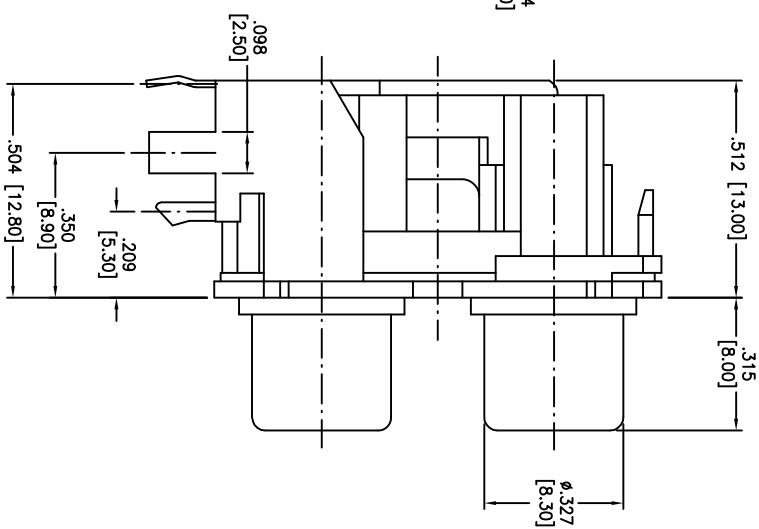
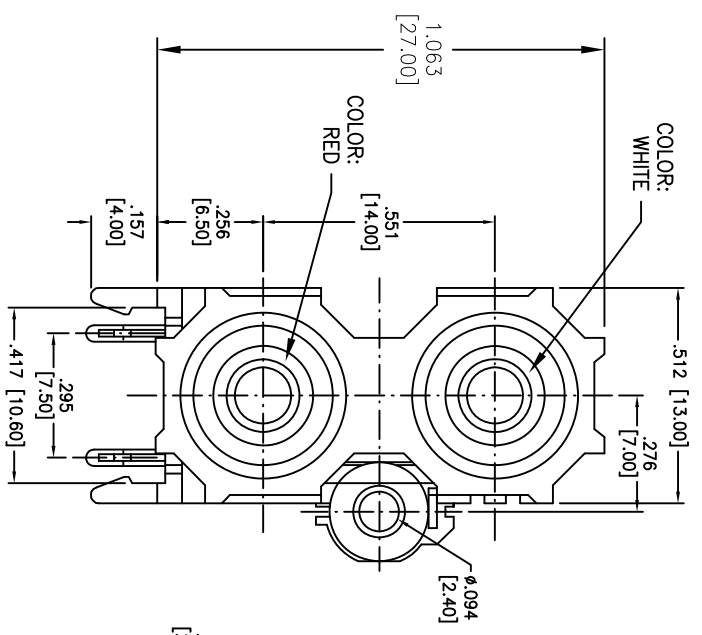


Rev	AWO #	Description	Date	Appr
-		RELEASED	7/29/11	

APPROVED: _____
 DATE: _____ TITLE: _____



SPECIFICATIONS:

- Material:
- Housing: ABS, color Black
- Insulator colors: Black
- Washer: PBT
- Cover: ABS
- Outer contacts: Brass, Tin plated
- Pincer Needle: Brass, Tin plated
- Electrical:
- Operation voltage: 12V DC
- Current rating: 1 Amps
- Contact resistance: 30 mohms max.
- Insulation resistance: 100 Mohms min
- Dielectric withstanding voltage: 500 VAC for 1 minute
- Temperature rating:
- Operating temperature: -25°C to +85°C
- Lead free, RoHS compliant.
- Recommended soldering temp: 235°C for 5 sec.

ADAM TECH

909 Rahway Avenue, Union, NJ 07083
 Phone: 908-687-5000 Fax: 908-687-5710

RCA JACK, VERTICAL, PCB, 2PORTS
 WHITE/RED

UNLESS OTHERWISE SPECIFIED ALL DIMENSIONS ARE INCHES [MM] TOLERANCES: EXCEPT AS NOTED		TITLE	
INCHES	HOLES	RCA JACK, VERTICAL, PCB, 2PORTS	
.X ± .10	Ø.XX ± .10	SIZE	PART NO.
.XX ± .020	Ø.XXX ± .015	X	RCA-33-1-W/R
.XXX ± .015	Ø.XXX ± .010	REF:	S0023C
APPROVALS		DATE	
DRAWN	AY	7/29/11	
CHECKED	SC	7/29/11	
APPROVED			
REV.		SHEET 1 OF 1	

