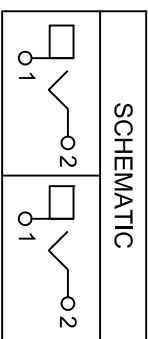
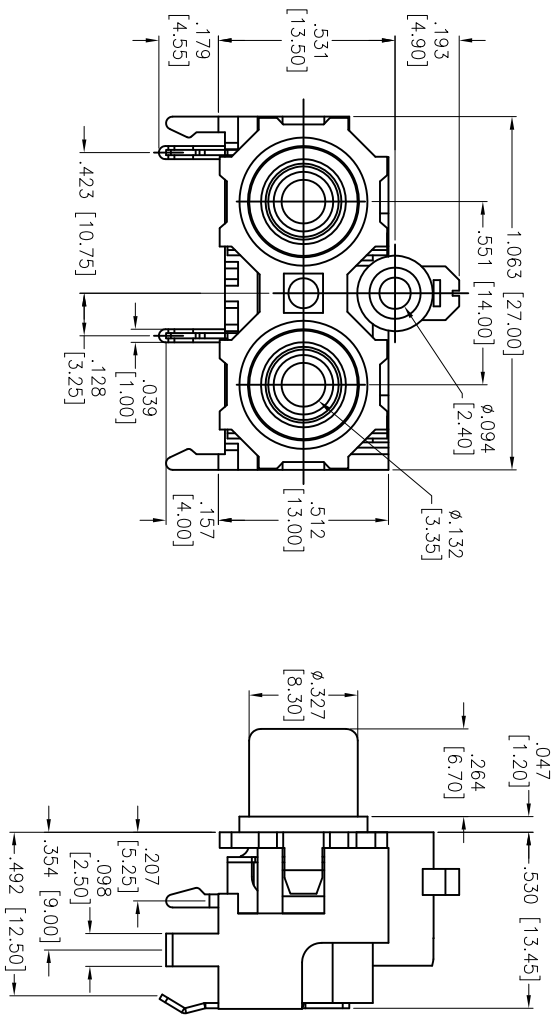


Rev	AWO #	Description	Date	Appr
-		RELEASED	12/07/11	

APPROVED: \_\_\_\_\_

DATE: \_\_\_\_\_ TITLE: \_\_\_\_\_



RECOMMENDED PCB LAYOUT

**SPECIFICATIONS:**

- Material: Housing: PBT, color: White; Insulator colors: Red, White; Cover: ABS, Color: Black; Contacts: Brass; Barrel: Brass, Gold plated
- Plating: Tin over Copper underplate.
- Electrical: Operation voltage: 100 VAC/12VDC; Current rating: 1/2 Amps; Contact resistance: 30 mohms max.; Insulation resistance: 100 Mohms min; Dielectric withstanding voltage: 500 VAC for 1 minute
- Environmental: Temperature rating: Operating temperature: -25°C to +80°C; Lead free, RoHS compliant; Recommended soldering temp: 235°C for 5 sec.

**ADAM TECH**

909 Railway Avenue, Union, NJ 07083  
 Phone: 908-687-5000 Fax: 908-687-5710

TITLE: RCA JACK, RIGHT ANGLE, PCB  
 RED/WHITE

UNLESS OTHERWISE SPECIFIED ALL DIMENSIONS ARE IN INCHES [MM] TOLERANCES: EXCEPT AS NOTED	
INCHES	HOLDS
.X ± .10	ØXX ± .10
.XX ± .020	ØXXX ± .015
.XXX ± .015	ØXXXX ± .010
APPROVALS	
DRAWN	TW
CHECKED	AY
APPROVED	
DATE	DATE
12/07/11	12/07/11

SIZE	PART NO.	REV.
X	RCA-34-1-RW	-
REF:	S00095T	SHEET 1 OF 1
SCALE:	NIS	

