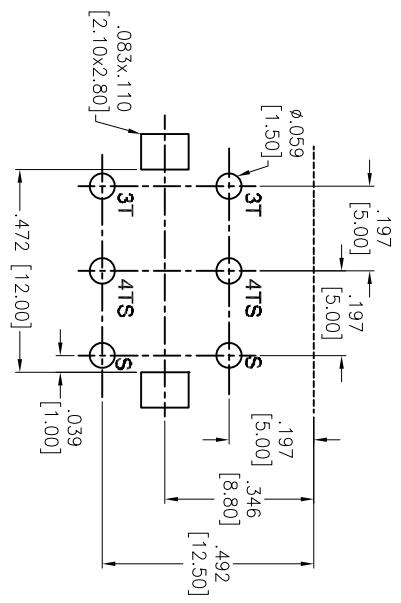
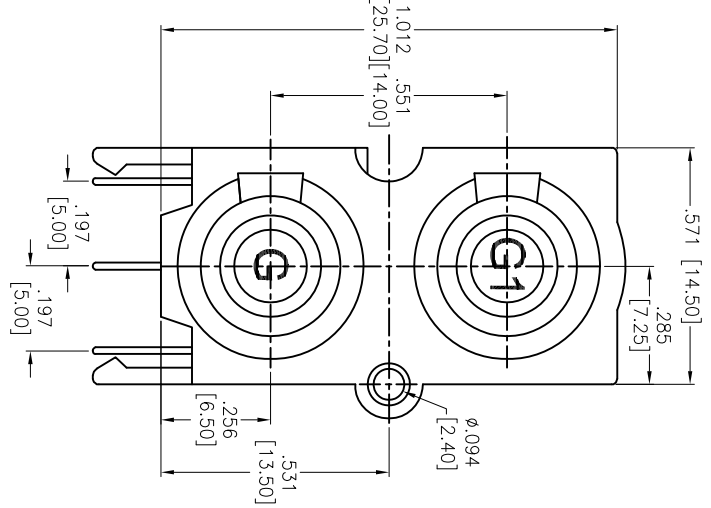
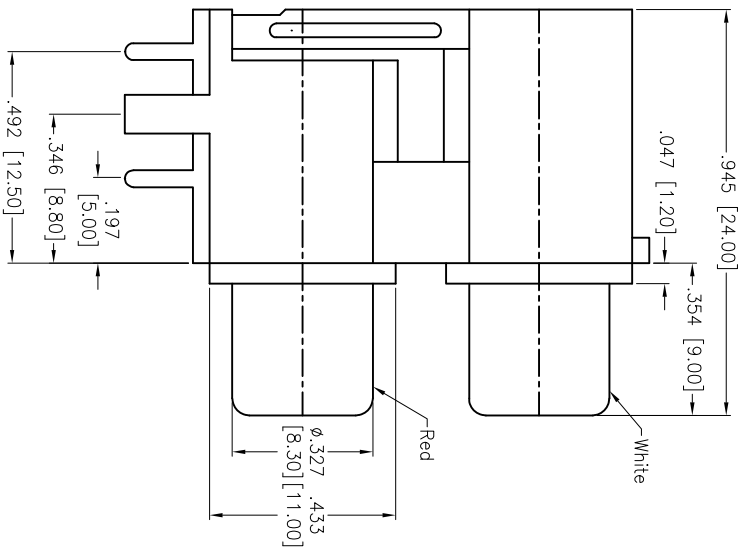
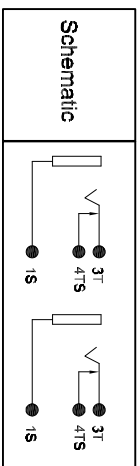


Rev	AWO #	Description	Date	Appr
-		RELEASED	04/27/12	

APPROVED: _____
 DATE: _____ TITLE: _____



RECOMMENDED PCB LAYOUT



SPECIFICATIONS:
 Material:
 Insulator: PBT, UL 94V-0
 Insulator color: Black
 Washer: PBT
 Contact: Brass
 Shield: Brass
 Plating:
 Tin over Copper underplate overall
 Electrical:
 Rated Voltage: 16 VDC max.
 Rated Current: 0.3 Amp.
 Contact resistance: 50 mohms max. initial
 Insulation resistance: 100 Mohms min.
 Dielectric withstanding voltage: 500 VAC for 1 minute
 Temperature Rating:
 Operating temperature: -20°C to +60°C
 Environmental:
 Lead free, RoHS compliant.

UNLESS OTHERWISE SPECIFIED
 ALL DIMENSIONS ARE INCHES [MM]
 TOLERANCES: EXCEPT AS NOTED
 INCHES HOLEES

APPROVALS	DATE
DRAWN TW	04/27/12
CHECKED AY	04/27/12
APPROVED	

ADAM TECH
 909 Rahway Avenue, Union, NJ 07083
 Phone: 908-687-5000 Fax: 908-687-5710

RCA JACK, 2 PORTS, WHITE/RED

SIZE	PART NO.
X	RCA-35-2-W/R

REV. _____
 SCALE: NTS
 SHEET 1 OF 1

