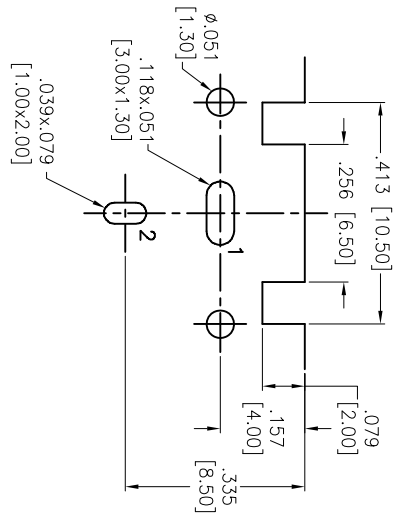
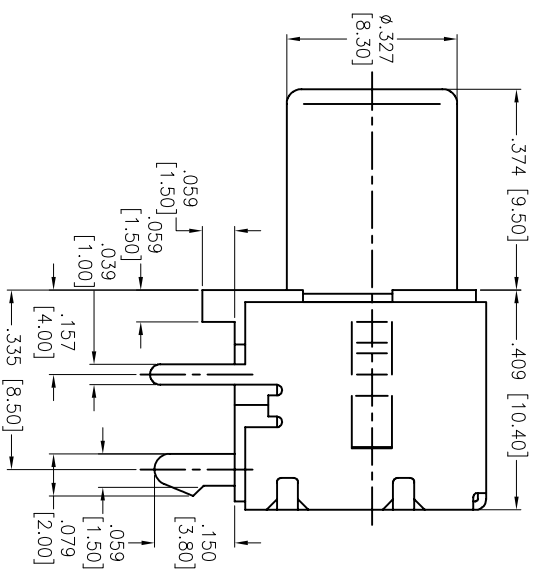
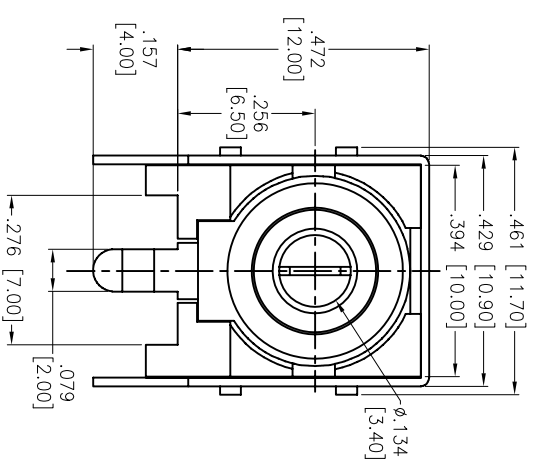
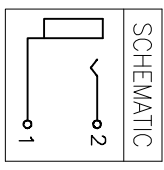


Rev	AWO #	Description	Date	Appr
-		RELEASED	05/15/12	

APPROVED: \_\_\_\_\_  
 DATE: \_\_\_\_\_ TITLE: \_\_\_\_\_



RECOMMENDED PCB LAYOUT



COLOR	ADAM P/N
RED	RCA-37-1-R
WHITE	RCA-37-1-W
BLACK	RCA-37-1-B
YELLOW	RCA-37-1-Y
ORANGE	RCA-37-1-O

**SPECIFICATIONS:**

Material: PBT, glass reinforced, rated UL 94V-0  
 Insulator colors: (See chart for Color)  
 Contacts: Brass  
 Shield: Steel, Tin plated  
 Plating:  
 Tin over Copper underplate.  
 Electrical:  
 Operation voltage: 30V DC max.  
 Current rating: 0.3 Amp max  
 Contact resistance: 30 mohms max.  
 Insulation resistance: 100 Mohms min  
 Dielectric withstanding voltage: 500 VAC for 1 minute  
 Temperature rating:  
 Operating temperature: -25°C to +70°C  
 Environmental:  
 Lead free, RoHS compliant.

**ADAM TECH**

909 Rahway Avenue, Union, NJ 07083  
 Phone: 908-687-5000 Fax: 908-687-5710

RCA JACK, RIGHT ANGLE, PCB MOUNT

UNLESS OTHERWISE SPECIFIED ALL DIMENSIONS ARE IN INCHES [MM]	
TOLERANCES: EXCEPT AS NOTED	HOLE SIZES
.X ± .10	ØX ± .10
.XX ± .020	ØXXX ± .015
.XXX ± .015	ØXXX ± .010
APPROVALS	DATE
DRAWN TW	05/15/12
CHECKED AY	05/15/12
APPROVED	

SIZE	PART NO.	SCALE	SHEET 1 OF 1
X	RCA-37-1-X	NIS	
REF:	NIS	SCALE:	NIS

