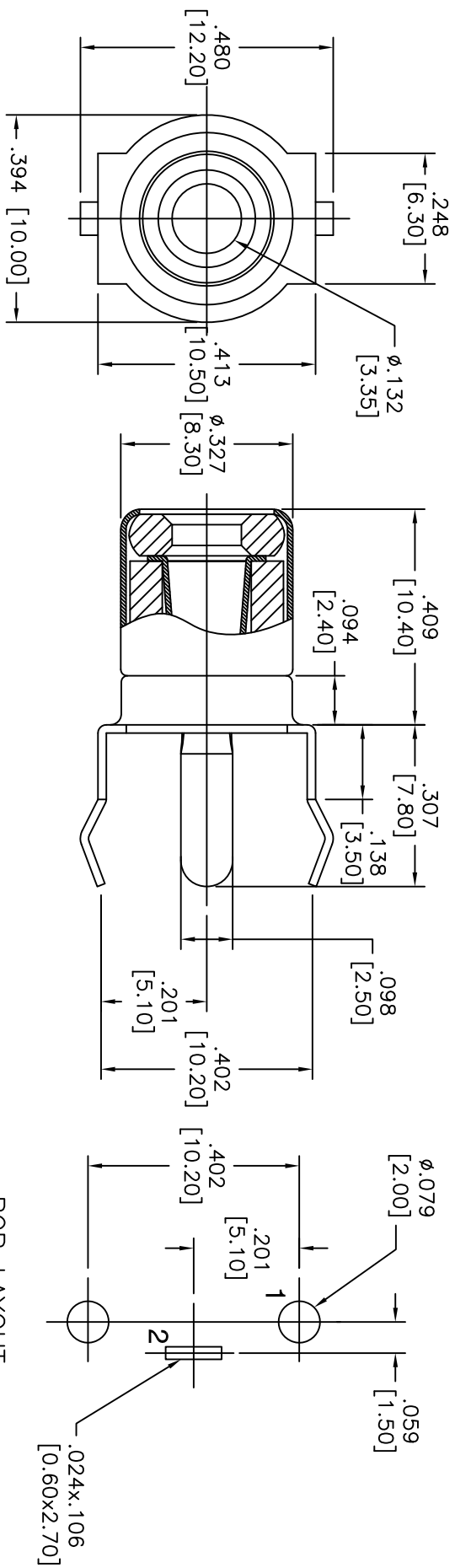
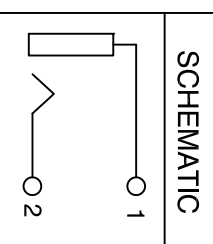


Rev	AWO #	Description	Date	Appr
-		RELEASED	5/23/12	

APPROVED: _____
 DATE: _____ TITLE: _____



PCB LAYOUT
(BOTTOM VIEW)



P/N	COLOR
RCA-38-1-B	BLACK
RCA-38-1-R	RED
RCA-38-1-W	WHITE
RCA-38-1-Y	YELLOW
RCA-38-1-BL	BLUE
RCA-38-1-G	GREEN

SPECIFICATIONS:

- Material: Insulator: PBT, rated UL 94V-0
- Insulator color: White
- Ring: PBT, rated UL 94V-0
- Ring color: See color chart
- Barrel: Corrosion Resisting Steel, Nickel plated
- Bracket: Corrosion Resisting Steel, Nickel plated
- Contacts: Brass

- Plating: Tin over Copper underplate overall
- Electrical: Operating voltage: 12 VDC max.
- Current rating: 2 Amp max.
- Contact resistance: 30 mohms max.
- Insulation resistance: 100 Mohms min.
- Dielectric withstanding voltage: 500 VAC for 1 minute
- Environmental: Lead free, RoHS compliant



ADAM TECH

909 Rahway Avenue, Union, NJ 07083
 Phone: 908-687-5000 Fax: 908-687-5710

TITLE: RCA JACK, 1 PORT, VERTICAL

UNLESS OTHERWISE SPECIFIED ALL DIMENSIONS ARE INCHES [MM]		TOLERANCES: EXCEPT AS NOTED	
.X	\pm .10	ϕ X	\pm .10
.XX	\pm .020	ϕ XXX	\pm .015
.XXX	\pm .015	ϕ XXXX	\pm .010
APPROVALS		DATE	
DRAWN	AY	5/23/12	
CHECKED	OC	5/23/12	
APPROVED		SIZE	PART NO.
		X	RCA-38-1-X
		REF:	S00095T
		SCALE:	NIS
		SHEET:	1 OF 1