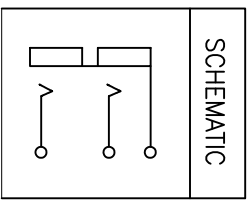
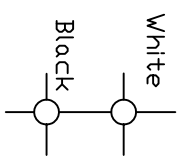
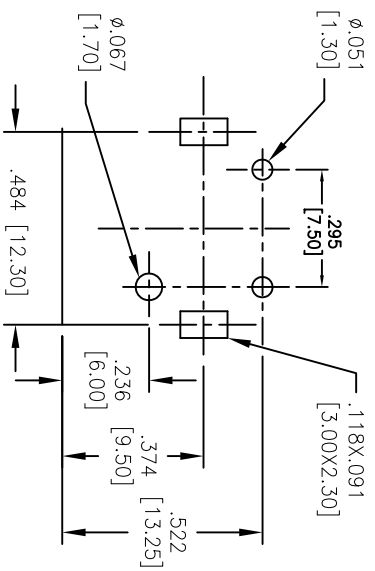
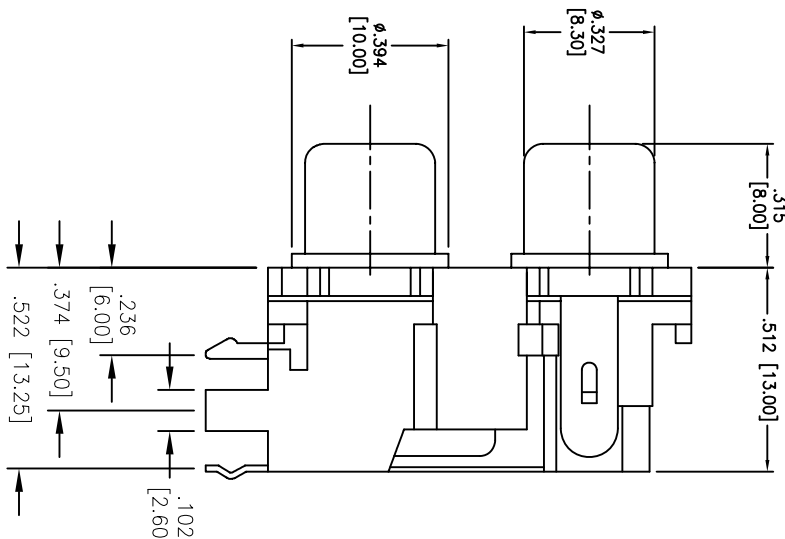
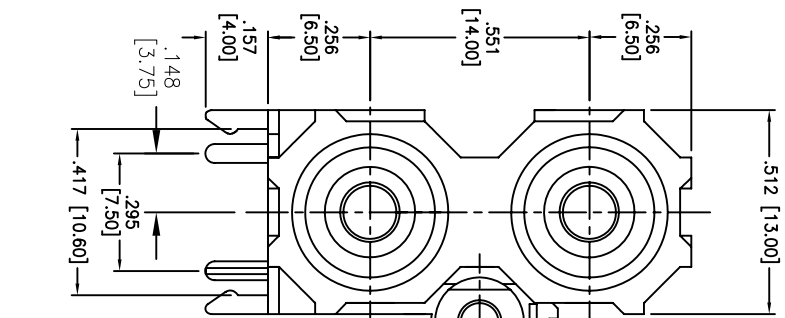


Rev	AWO #	Description	Date	Appr
-		RELEASED	10/2/12	

APPROVED: _____ TITLE: _____
 DATE: _____



SPECIFICATIONS:

Material:

Insulator: ABS, rated UL 94V-0
 Insulator color: Black

Ring: ABS, color: White/Black

Terminal: Brass, Tin plated

Barrel: Brass, Nickel plated

Electrical:

Operation voltage: 50V.

Current rating: 0.3 Amp

Contact resistance: 0.03Ω max.

Insulation resistance: 100 MΩ min

Dielectric withstanding voltage: 500 VAC for 1 minute

Environmental:
 Lead free, RoHS compliant.

UNLESS OTHERWISE SPECIFIED
 ALL DIMENSIONS ARE INCHES [MM]
 TOLERANCES: EXCEPT AS NOTED
 INCHES: .10 ØXX ±.10
 .XX ±.020 ØXXX ±.015
 .XXX ±.015 ØXXXX ±.010

ADAM TECH
 909 Rahway Avenue, Union, NJ 07083
 Phone: 908-687-5000 Fax: 908-687-5710

APPROVALS	DATE	TITLE	SIZE	PART NO.	SCALE	SHEET	REV.
DRAWN AY	10/2/12	RCA JACK, VERTICAL, PCB, 2PORTS	X	WHITE/BLACK	RCA-43-4-W/B	1	-
CHECKED EH	10/2/12						
APPROVED							



6 5 4 3 2 1