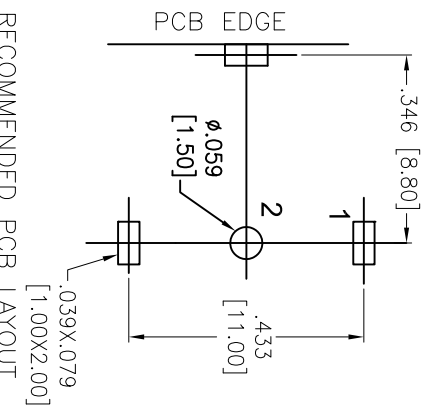
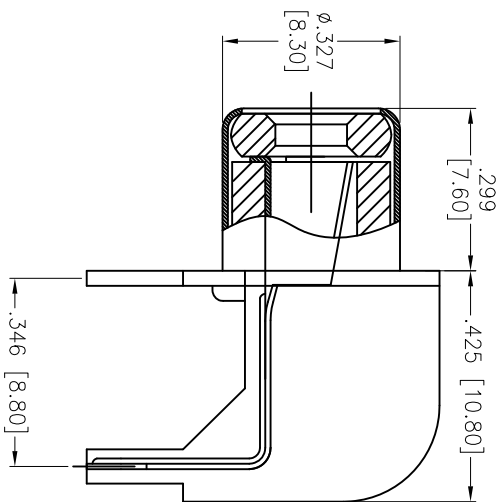
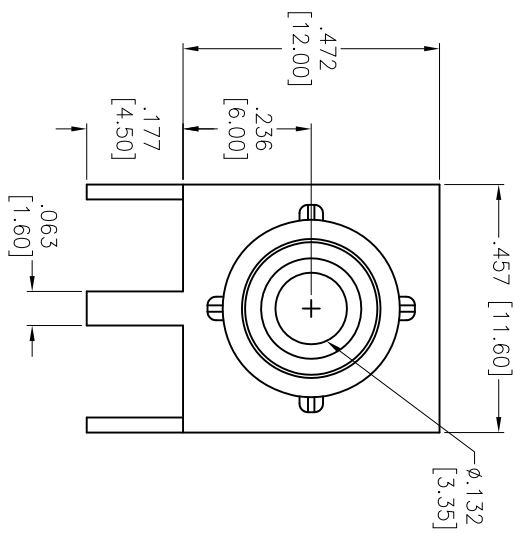
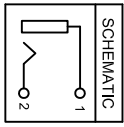


Rev	AWO #	Description	Date	Appr
-		RELEASED	1/23/13	

APPROVED: _____
 DATE: _____ TITLE: _____



SPECIFICATIONS:
 Material: PBT, Glass reinforced, rated UL 94V-0
 Insulator colors: See table
 Contacts: Brass
 Barrel: Steel
 Bracket: Steel
 Plating: Tin over Copper underplate
 Electrical:
 Operating voltage: 12 VDC max.
 Current rating: 2 Amp max.
 Contact resistance: 30 mohms max. initial
 Insulation resistance: 100 Mohms min.
 Dielectric withstanding voltage: 500 VAC for 1 minute
 Environmental:
 Lead free, RoHS compliant.



PART NO.	COLOR
RCA-45-1-R	RED
RCA-45-1-B	BLACK
RCA-45-1-W	WHITE
RCA-45-1-Y	YELLOW
RCA-45-1-BL	BLUE
RCA-45-1-G	GREEN

RECOMMENDED PCB LAYOUT
 (BOTTOM VIEW)

UNLESS OTHERWISE SPECIFIED
 ALL DIMENSIONS ARE IN INCHES [MM]
 TOLERANCES: EXCEPT AS NOTED
 INCHES: .X ±.10 ØXX ±.10
 .XX ±.020 ØXXX ±.015
 .XXX ±.015 ØXXXX ±.010

ADAM TECH
 909 Rahway Avenue, Union, NJ 07083
 Phone: 908-687-5000 Fax: 908-687-5710

REV. CONTROL
 DRAWN: AY 1/23/13
 CHECKED: AH 1/23/13
 APPROVED: _____

TITLE: RCA JACK, 1 PORT, RIGHT ANGLE
 SIZE: X
 PART NO.: RCA45-1-X
 REF: S0009T SCALE: NTS SHEET 1 OF 1



6 5 4 3 2 1

A B C D