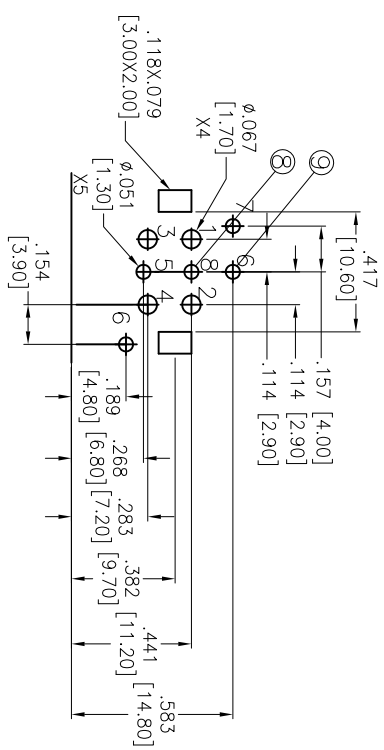
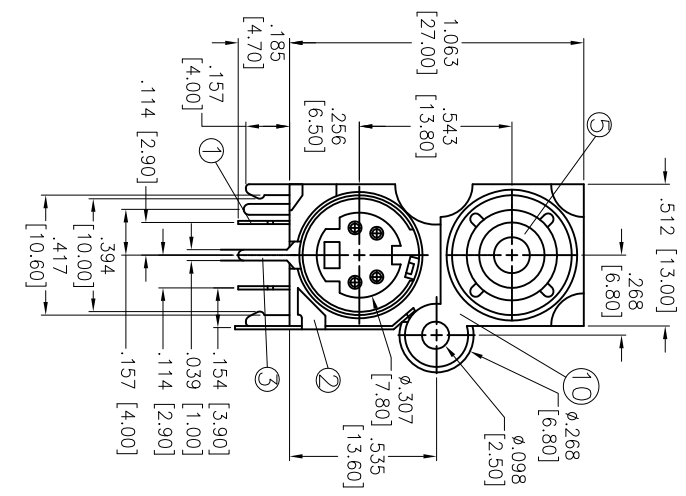
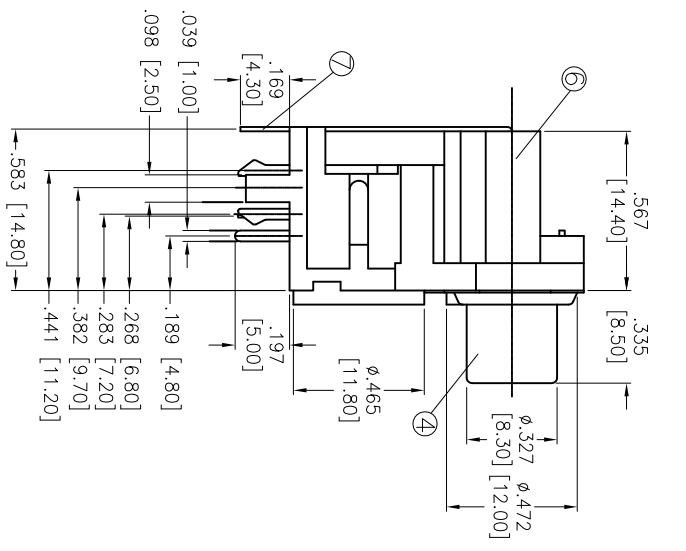


APPROVED: _____
 DATE: _____ TITLE: _____

Rev	AWO #	Description	Date	Appr
-		RELEASED	4/16/15	
A		UPDATED SPEC.	5/14/15	HR/LL



RECOMMENDED PCB LAYOUT

10	SEALED PLATE	BRASS	Tin PLATED
9	EARTH FITTING	BRASS	Tin PLATED
8	EARTH FITTING	Phosphor Bronze	Silver PLATED
7	TERMINAL	BRASS	Tin PLATED
6	HOUSING	PBT 4815	UL-94V0
5	WASHER	PBT 4815	UL-94V0
4	OUTER CONTACT	BRASS	Gold PLATED
3	GROUND CONTACT	BRASS	Tin PLATED
2	EARTH FITTING	BRASS	Tin PLATED
1	CENTER CONTACT	Phosphor Bronze	Silver PLATED
	LTR PART NAME		REMARK

SPECIFICATIONS:

Electrical:
 RCA:
 Rated voltage/Rated current: 12VDC, 1A
 Contact Resistance: 30m ohm Max
 Insulation Resistance: 100M ohm Min
 Dielectric Withstanding Voltage: 500VAC for 1 minute
 Temperature Rating:
 Operating temperature: -25°C to +60°C
 S-Video:
 Rated voltage/Rated current: 100VAC 1A, 12VDC, 2A
 Contact Resistance: 30m ohm Max
 Insulation Resistance: 50M ohm Min
 Dielectric Withstanding Voltage: 250VAC for 1 minute
 Temperature Rating:
 Operating temperature: -40°C to +85°C
 Environmental:
 Lead free, RoHS compliant.

	S JACK	PIN JACK
SCHEMATIC		
COLOR	BLACK	WASHER YELLOW
		HOUSING BLACK

UNLESS OTHERWISE SPECIFIED
 ALL DIMENSIONS ARE INCHES [MM]
 TOLERANCES EXCEPT AS NOTED
 INCHES Holes

.X	± .10	ØXX	± .10
.XX	± .020	ØXXX	± .015
.XXX	± .015	ØXXXX	± .010

APPROVALS

DATE	DATE
HR	4/16/15
TW	4/16/15

ADAM TECH
 909 Railway Avenue, Union, NJ 07083
 Phone: 908-687-5000 Fax: 908-687-5710

PIN JACK AND S JACK GANGED, 2 PORTS

SIZE	PART NO.	REV.
X	RCA-48-4/4PMD-Y-G	A

REF: S0023T SCALE: NTS SHEET 1 OF 1

