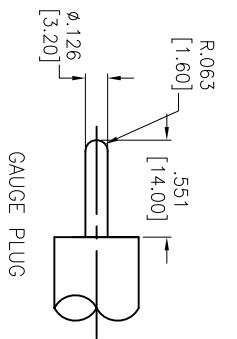
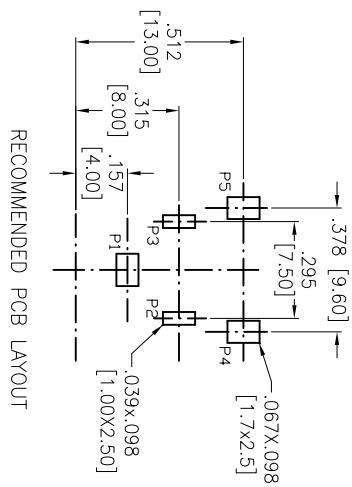
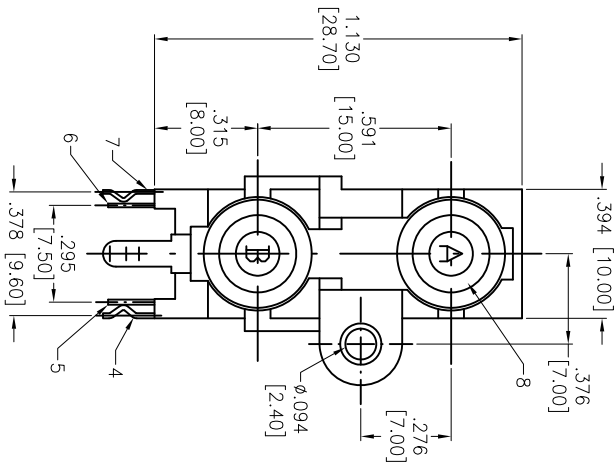
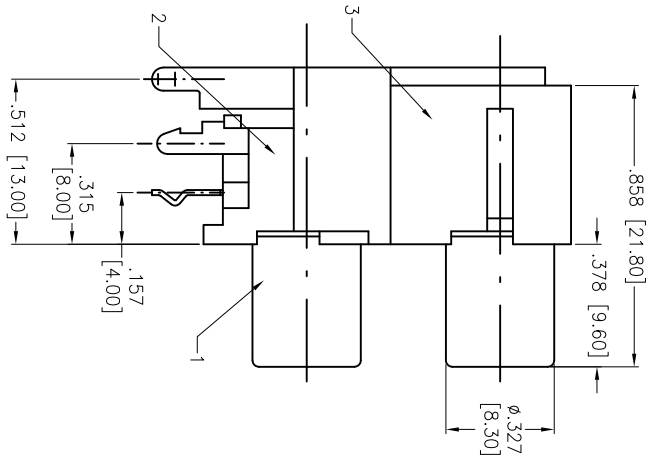


Rev	AWO #	Description	Date	Appr
-		RELEASED	8/4/15	

APPROVED: _____
 DATE: _____ TITLE: _____

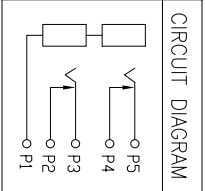


QTY	DESCRIPTION	MATERIAL	REMARK
8	WASHER	PBT	
7	TIP CONTACT (L)	PHOSPHOR BRONZE	Silver plated
6	TIP CONTACT (S)	PHOSPHOR BRONZE	Silver plated
5	BREAK CONTACT (S)	BRASS	Silver plated
4	BREAK CONTACT (L)	BRASS	Silver plated
3	HOUSING	ABS777D	White Color
2	INNER HOUSING	ABS	Red Color
1	OUTER CONTACT	BRASS	Gold plated
LTR	PART NAME	MATERIAL	REMARK

SPECIFICATIONS:

Material: (See chart for Detail)
 Electrical: Operation voltage: 12 VDC
 Contact resistance: 30mΩ Max.
 Insulation resistance: 100 MΩ min
 Dielectric withstanding voltage: 500 VAC for 1 minute
 Temperature rating: Operating temperature: -40°C to +70°C
 Environmental: Lead free, RoHS compliant.

COLOR	LAYOUT
A	White
B	Red



A

A

B

B

C

C

D

D

ADAM TECH
 909 Railway Avenue, Union, NJ 07083
 Phone: 908-687-5000 Fax: 908-687-5710

RCA JACK, RIGHT ANGLE, WHITE/RED

UNLESS OTHERWISE SPECIFIED
 ALL DIMENSIONS ARE INCHES [MM]
 TOLERANCES: EXCEPT AS NOTED
 INCHES: .X ± .10, .XX ± .020, .XXX ± .015
 Holes: ØX ± .10, ØXXX ± .015, ØXXX ± .010

APPROVALS	DATE
DRAWN	HR
CHECKED	CH
APPROVED	

SIZE	PART NO.	REV.
X	RCA-49-2-W/R-G	-
REF: S0025C	SCALE: NTS	SHEET 1 OF 1



6

5

4

3

2

1