

6

5

4

3

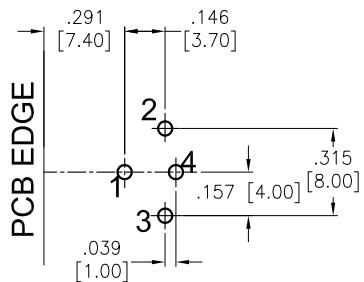
2

1

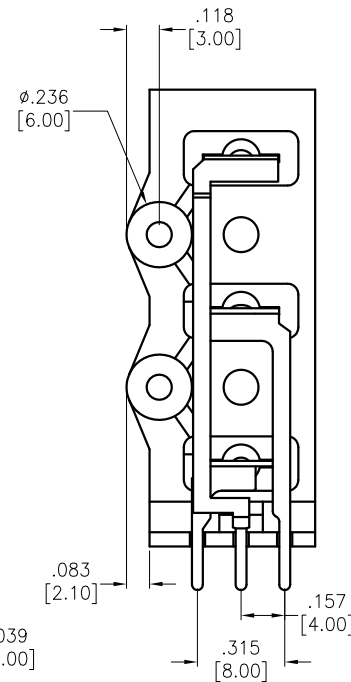
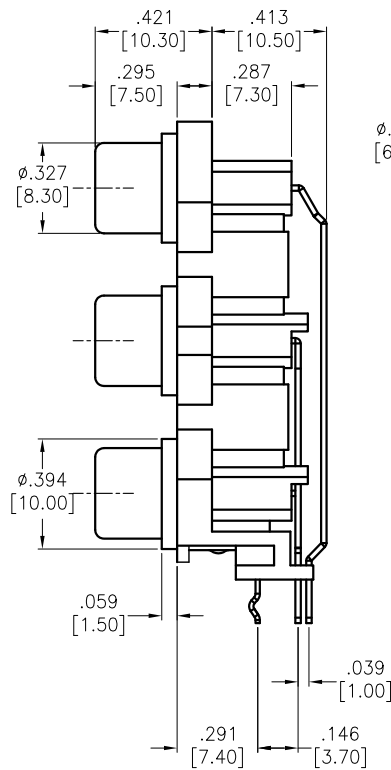
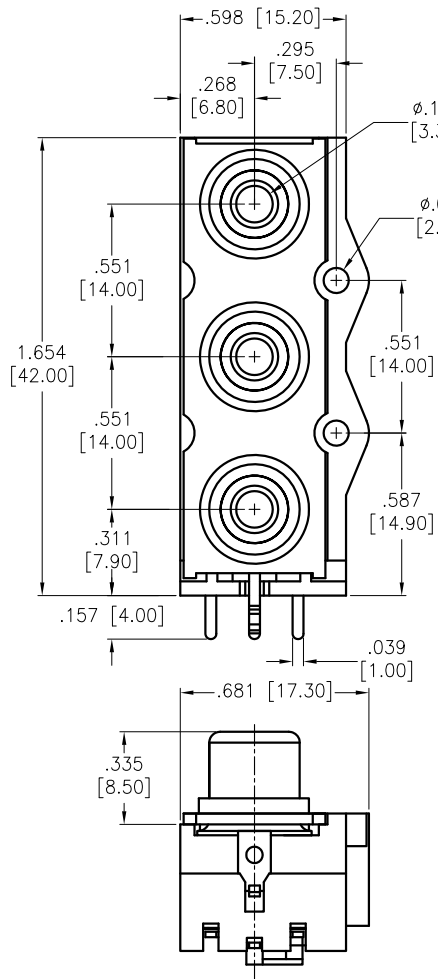
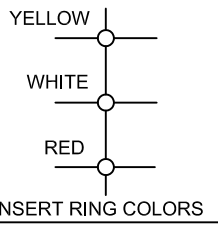
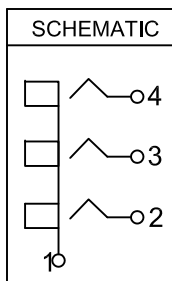
APPROVED: _____

DATE: _____ TITLE: _____

Rev	AWO #	Description	Date	Appr
-		RELEASED	6/16/16	



RECOMMENDED P.C.B LAYOUT (Bottom View)



SPECIFICATIONS:

Material:
 Insulator: ABS, Colors: Yellow
 Cover: ABS, Colors: Black
 Insert Ring: PBT, Glass reinforced, rated UL 94V-0
 Insert Ring colors: Yellow, White, Red
 Barrel: Brass, Nickel plated
 Contacts: Brass

Plating:
 Tin over Copper underplate overall
 Electrical:
 Rated Voltage And Current: 2A Max. @12V DC
 1A Max. @100V AC

Contact resistance: 30 mohms max. initial
 Insulation resistance: 100 Mohms min @ 500 VDC.
 Dielectric withstanding voltage: 500 VAC for 1 minute
 Mechanical:
 Durability: 4,000 Cycles
 Environmental:
 Lead free, RoHS compliant.



UNLESS OTHERWISE SPECIFIED ALL DIMENSIONS ARE INCHES [MM] TOLERANCES: EXCEPT AS NOTED INCHES HOLES		ADAM TECH 909 Rahway Avenue, Union, NJ 07083 Phone: 908-687-5000 Fax: 908-687-5710	
.X ± .10	∅.X ± .10		
.XX ± .020	∅.XX ± .015	TITLE RCA JACK, 3 PORTS, RIGHT ANGLE, PCB MOUNT	
.XXX ± .015	∅.XXX ± .010	REV. -	
APPROVALS		DATE	
DRAWN	AY	6/16/16	
CHECKED	NP	6/16/16	
APPROVED			
SIZE X	PART NO. RCA-50-5-Y/W/R	REF: S00095T	SCALE: NTS
		SHEET 1 OF 1	

6

5

4

3

2

1