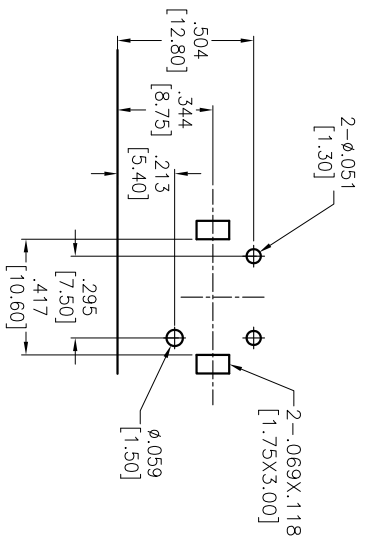
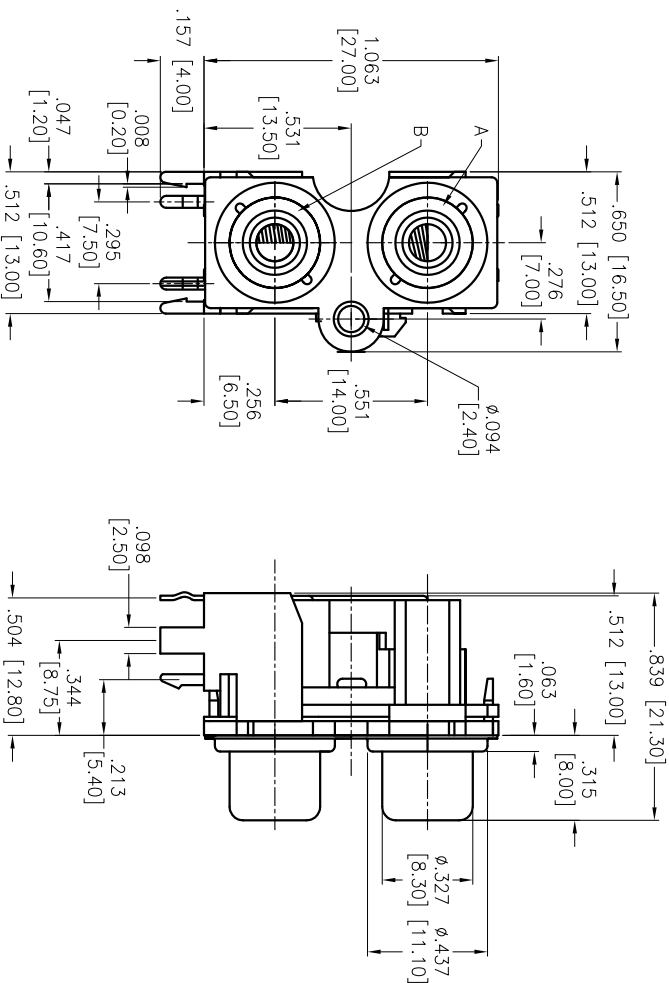


Rev	AWO #	Description	Date	Appr
-		RELEASED	7/20/16	

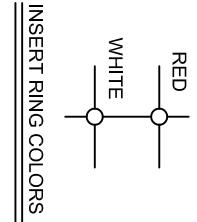
APPROVED: _____
 DATE: _____ TITLE: _____



RECOMMENDED P.C.B. LAYOUT

COLOR	A	RED
	B	WHITE

SCHMATIC



SPECIFICATIONS:

Material: Housing: PBT, rated UL 94V-0, Colors: Black
 Cover: ABS, rated UL 94HB, Colors: Black
 Washer: PBT, rated UL 94V-0, Colors: Red, White
 Sealed Plate: Brass, Tin plated
 Contacts: Brass

Plating: Tin over Copper underplate overall

Electrical:

Rated Voltage / Current: 12V DC, 1A
 Contact resistance: 30 mohms max
 Insulation resistance: 100 Mohms min
 Dielectric withstanding voltage: 500 VAC for 1 minute
 Temperature Rating: Operating temperature: -25°C to +60°C
 Environmental: Lead free, RoHS compliant.

UNLESS OTHERWISE SPECIFIED
 ALL DIMENSIONS ARE INCHES [MM]
 TOLERANCES: EXCEPT AS NOTED
 INCHES Holes ±.10
 .XX ±.020
 .XXX ±.015
 .XXX ±.010

ADAM TECH
 909 Rahway Avenue, Union, NJ 07083
 Phone: 908-687-5000 Fax: 908-687-5710

APPROVALS	DATE	TITLE	SIZE	PART NO.	SCALE	SHEET	REV.
DRAWN AY	7/20/16	RCA JACK, 2 PORTS, RIGHT ANGLE, PCB MOUNT	X	RCA-514-RW	NIS	1	1
CHECKED CH	7/20/16						
APPROVED							

