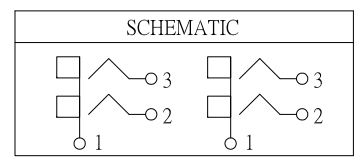
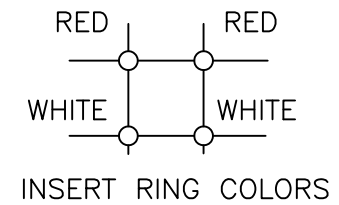
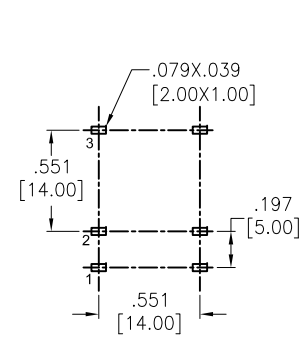
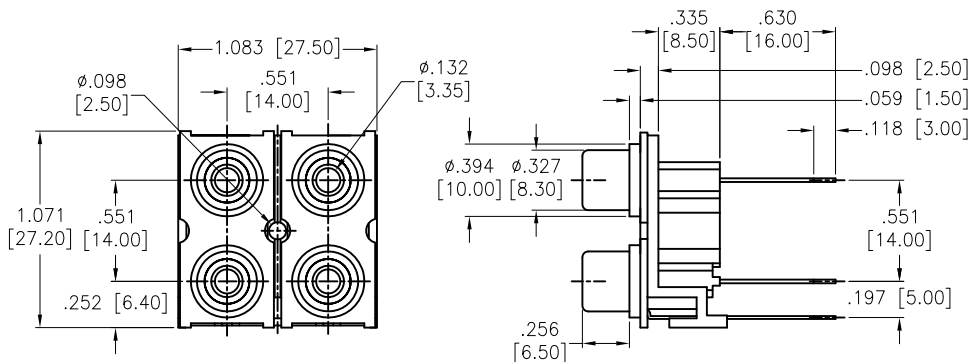


APPROVED: _____
 DATE: _____ TITLE: _____

Rev	AWO #	Description	Date	Appr
-		RELEASED	11/16/16	



SPECIFICATIONS:
 Material:
 Insulator: ABS, rated UL 94V-0
 Insulator colors: White
 Contacts: Brass
 Cover: ABS, Colors: Black
 Insert Ring: PBT, Glass reinforced
 Insert Ring colors: Red, White
 Barrel: Brass, Nickel plated
 Plating:
 Tin over Copper underplate overall
 Electrical:
 Voltage & Current rating: 12VDC 2A max, 100VAC 1A max.
 Contact resistance: 30 mohms max @ AC 100 mA
 Insulation resistance: 100 Mohms min @ 500 VDC.
 Dielectric withstanding voltage: 500 VAC for 1 minute
 Environmental:
 Lead free, RoHS compliant.



UNLESS OTHERWISE SPECIFIED
 ALL DIMENSIONS ARE INCHES [MM]
 TOLERANCES: EXCEPT AS NOTED

INCHES		HOLES	
.X	± .10	ϕ .X	± .10
.XX	± .020	ϕ .XX	± .015
.XXX	± .015	ϕ .XXX	± .010

APPROVALS		DATE
DRAWN	HR	11/16/16
CHECKED	MC	11/16/16
APPROVED		

ADAM TECH
 909 Rahway Avenue, Union, NJ 07083
 Phone: 908-687-5000 Fax: 908-687-5710

TITLE: RCA JACK, 4 PORTS, 2 X 2

SIZE X	PART NO. RCA-52-4-RW	REV. -
REF: S00095T	SCALE: NTS	SHEET 1 OF 1