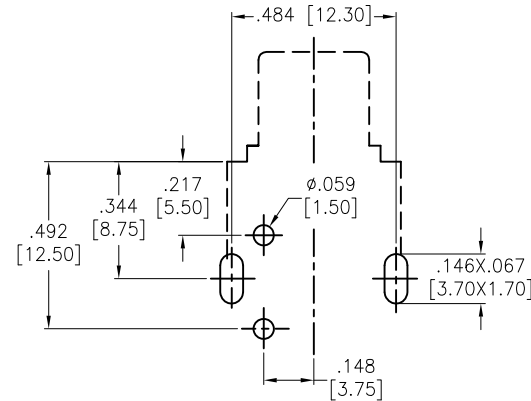
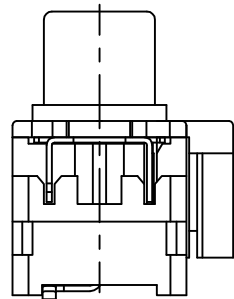
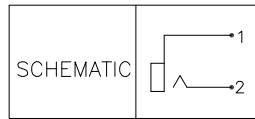
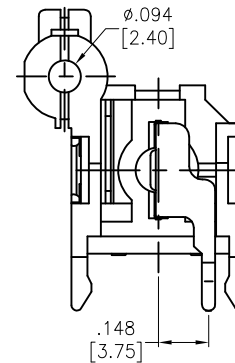
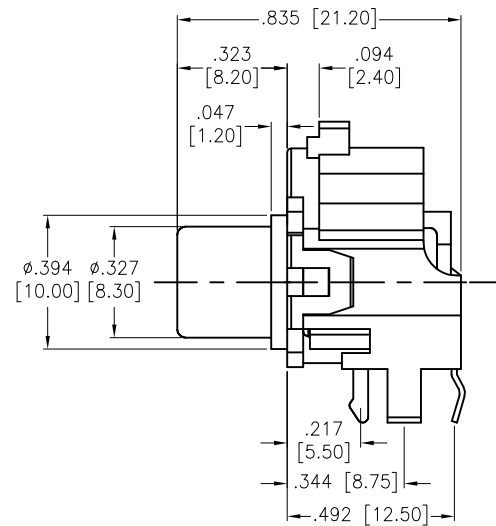
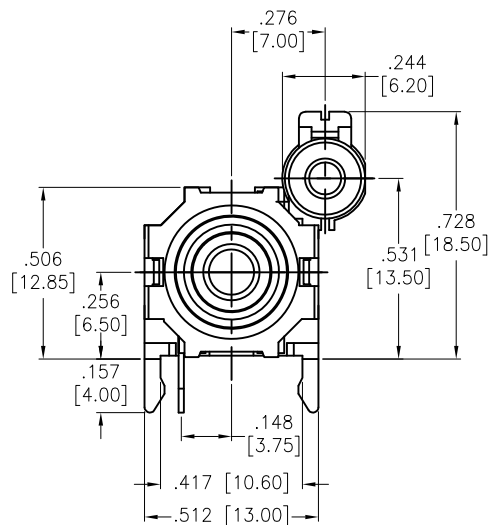


APPROVED: \_\_\_\_\_  
 DATE: \_\_\_\_\_ TITLE: \_\_\_\_\_

Rev	AWO #	Description	Date	Appr
-		RELEASED	11/25/16	



RECOMMENDED PCB LAYOUT  
(BOTTOM VIEW)

**SPECIFICATIONS:**

Material:  
 Housing: ABS, rated UL 94V-0, Colors: Red  
 Cover: ABS, rated UL 94V-0, Colors: Black  
 Outer Contacts: Bronze, Nickel plated  
 Terminal: Bronze, Silver plated  
 Barrel: Copper Alloy, Gold plated

Electrical:  
 Contact resistance: 30 mohms max  
 Insulation resistance: 100 Mohms min @ 500 VDC.  
 Dielectric withstanding voltage: 500 VAC for 1 minute  
 Environmental:  
 Lead free, RoHS compliant.



UNLESS OTHERWISE SPECIFIED ALL DIMENSIONS ARE INCHES [MM] TOLERANCES: EXCEPT AS NOTED		<b>ADAM TECH</b> 909 Rahway Avenue, Union, NJ 07083 Phone: 908-687-5000 Fax: 908-687-5710	
INCHES HOLES			
.X ± .10	∅.X ± .10	TITLE <b>RCA JACK, RED COLOR, GOLD PLATED</b>	
.XX ± .020	∅.XX ± .015		
.XXX ± .015	∅.XXX ± .010		
APPROVALS		DATE	
DRAWN	HR	11/25/16	
CHECKED	CH	11/25/16	
APPROVED			
SIZE	PART NO.	REV.	
X	RCA-53-1-R-G	-	
REF:	S00062T	SCALE:	NTS
		SHEET 1 OF 1	