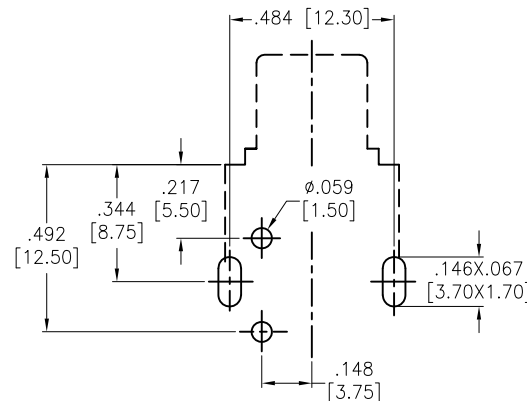
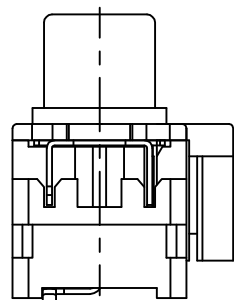
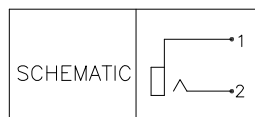
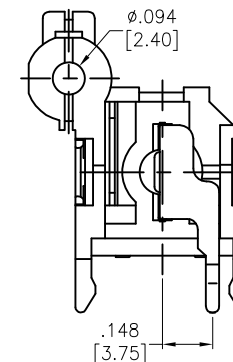
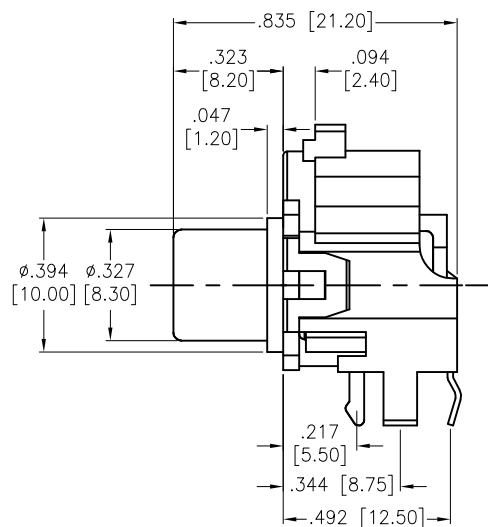
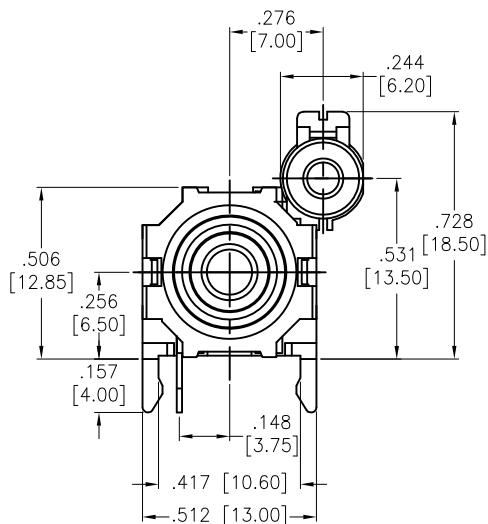


APPROVED: _____

DATE: _____ TITLE: _____

Rev	AWO #	Description	Date	Appr
-		RELEASED	11/25/16	



RECOMMENDED PCB LAYOUT
(BOTTOM VIEW)

SPECIFICATIONS:

Material:
 Housing: ABS, rated UL 94V-0, Colors: White
 Cover: ABS, rated UL 94V-0, Colors: Black
 Outer Contacts: Bronze, Nickel plated
 Terminal: Bronze, Silver plated
 Barrel: Copper Alloy, Gold plated

Electrical:
 Contact resistance: 30 mohms max
 Insulation resistance: 100 Mohms min @ 500 VDC.
 Dielectric withstanding voltage: 500 VAC for 1 minute

Environmental:
 Lead free, RoHS compliant.



UNLESS OTHERWISE SPECIFIED ALL DIMENSIONS ARE INCHES [MM] TOLERANCES: EXCEPT AS NOTED		ADAM TECH 909 Rahway Avenue, Union, NJ 07083 Phone: 908-687-5000 Fax: 908-687-5710	
INCHES			
.X ± .10	∅X ± .10	TITLE RCA JACK, WHITE COLOR, GOLD PLATED	
.XX ± .020	∅XX ± .015		
.XXX ± .015	∅XXX ± .010		
APPROVALS		DATE	
DRAWN	HR	11/25/16	
CHECKED	CH	11/25/16	
APPROVED			
SIZE	PART NO.	REV.	
X	RCA-53-1-W-G	-	
REF:	S00062T	SCALE:	NTS
		SHEET 1 OF 1	

6

5

4

3

2

1

D

D

C

C

B

B

A

A

6

5

4

3

2

1