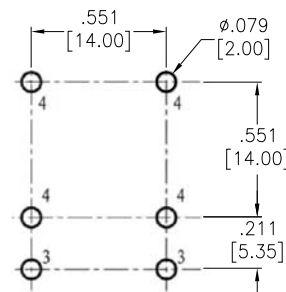
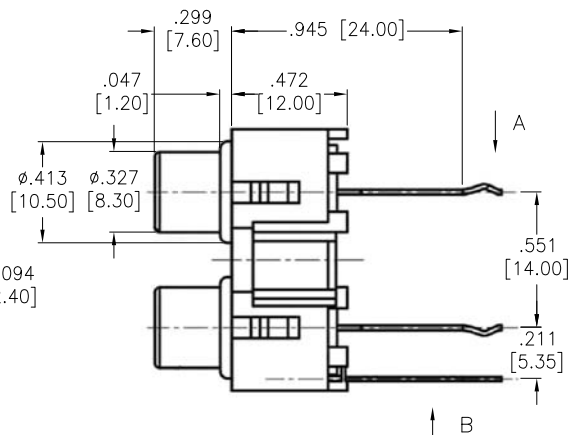
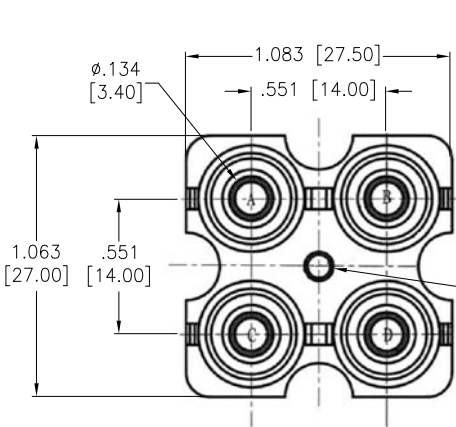
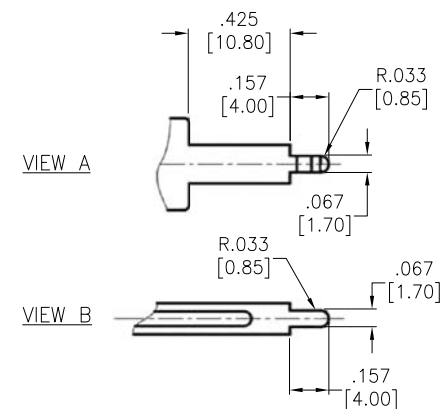


APPROVED: _____
 DATE: _____ TITLE: _____

Rev	AWO #	Description	Date	Appr
-		RELEASED	12/15/16	

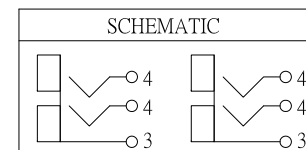
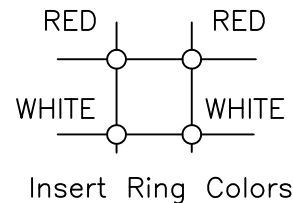


RECOMMENDED PCB LAYOUT



SPECIFICATIONS:

Material:
 Housing: ABS, Colors: White
 Contacts: Brass
 Cover: ABS, Colors: Black
 Washer (Insert Ring): ABS, Colors: See Color Table
 Plating:
 Tin over Copper underplate overall
 Electrical:
 Voltage rating: 12 VDC
 Current rating: 1 Amp
 Contact resistance: 30mΩ Max.
 Insulation resistance: 100 MΩ min
 Dielectric withstanding voltage: 500 VAC for 1 minute
 Temperature rating:
 Operating temperature: -40°C to +70°C
 Environmental:
 Lead free, RoHS compliant.



UNLESS OTHERWISE SPECIFIED
 ALL DIMENSIONS ARE INCHES [MM]
 TOLERANCES: EXCEPT AS NOTED
 INCHES HOLES
 .X ± .10 Ø.X ± .10
 .XX ± .020 Ø.XX ± .015
 .XXX ± .015 Ø.XXX ± .010

ADAM TECH

909 Rahway Avenue, Union, NJ 07083
 Phone: 908-687-5000 Fax: 908-687-5710

APPROVALS		DATE
DRAWN	HR	12/15/16
CHECKED	MC	12/15/16
APPROVED		

TITLE		
RCA JACK, 4 PORTS, 2 X 2		
SIZE	PART NO.	REV.
X	RCA-54-4-R/W	-
REF: S00025C	SCALE: NTS	SHEET 1 OF 1